

# SIMONTON WINDOWS *MAXVIEW Multi-Slide Patio Door (IMPACT)*



1 COCHRANE AVENUE  
PENNSBORO, WV 26415  
PH: 800-542-9118

## NOTES:

- THIS INSTALLATION HAS BEEN EVALUATED FOR USE IN LOCATIONS ADHERING TO THE FLORIDA BUILDING CODE OUTSIDE THE HVHZ, AND WHERE PRESSURE REQUIREMENTS AS DETERMINED BY ASCE 7 MINIMUM DESIGN LOADS FOR BUILDINGS AND OTHER STRUCTURES DO NOT EXCEED THE DESIGN PRESSURE RATINGS HEREIN.
- THIS PRODUCT IS MISSILE LEVEL D, WIND ZONE 3 IMPACT RESISTANT. WHEN USED IN WIND ZONE 3 OR BELOW AREAS, THIS PRODUCT DOES NOT REQUIRE THE USE OF APPROVED IMPACT PROTECTIVE DEVICES (SHUTTERS).
- ANCHOR TYPE, SIZE, SPACING, EMBEDMENT, AND EDGE DISTANCE SHALL BE AS SPECIFIED IN THESE DRAWINGS. USE APPROPRIATE ANCHORAGE FROM TABLE 1 AND TABLE 2 ACCORDING TO SUBSTRATE TYPE. A MINIMUM CENTER-TO-CENTER SPACING SHALL BE MAINTAINED BETWEEN ALL INSTALLATION FASTENERS IN ANY DIRECTION.
- ANCHOR EMBEDMENT TO SUBSTRATE SHALL BE BEYOND WALL DRESSING OR STUCCO. FOR MASONRY OPENINGS WITH WOOD BUCKS LESS THAN 1-1/2" THICK, EMBEDMENT SHALL BE BEYOND WOOD BUCKS, IF USED, AND INTO MASONRY SUBSTRATE. WOOD BUCKS WITH MASONRY ARE OPTIONAL.
- WOOD, METAL, OR MASONRY OPENINGS, BUCKS, AND BUCK FASTENERS, BY OTHERS, SHALL BE PROPERLY DESIGNED AND INSTALLED BY OTHERS TO TRANSFER SUPERIMPOSED LOADS TO THE STRUCTURE. ADEQUACY OF THE STRUCTURE TO RECEIVED THESE LOADS SHALL BE VERIFIED BY THE CONTRACTOR OR AUTHORITY HAVING JURISDICTION (AHJ).
- IT IS THE RESPONSIBILITY OF THE ARCHITECT OR ENGINEER OF RECORD OR AS APPROVED BY THE AHJ TO SELECT SIMONTON PRODUCTS TO MEET ALL APPLICABLE LOCAL LAWS, BUILDING CODES, ORDINANCES, OR OTHER SAFETY REQUIREMENTS FOR EACH INSTALLATION.
- SHIMS ARE REQUIRED WHERE GAPS OF GREATER THAN 1/16" EXIST BETWEEN OPENING AND FRAME. MAX. SHIM STACK IS 1/4". SHIMS SHALL BE LOAD-BEARING AND CAPABLE OF TRANSFERRING LOADS TO THE SUBSTRATE.
- SEALING AND FLASHING STRATEGIES FOR OVERALL WATER INFILTRATION RESISTANCE OF THE INSTALLED PRODUCT SHALL BE THE RESPONSIBILITY OF OTHERS USING ASTM E 2112 AND IS NOT ADDRESSED BY THIS DOCUMENT.
- INSTALLED GLAZING SHALL COMPLY WITH ASTM E 1300.
- ALL FASTENERS PENETRATING INTO PRESSURE TREATED WOOD SHALL BE CAPABLE OF PREVENTING CORROSION DUE TO REACTION WITH PRESSURE TREATMENT CHEMICALS. ANY DISSIMILAR MATERIALS THAT COME INTO CONTACT SHALL BE PROTECTED TO PREVENT REACTIONS IN ACCORDANCE WITH CODE REQUIREMENTS.
- A WIND LOAD DURATION FACTOR  $C_d = 1.6$  WAS USED FOR THE ANALYSIS OF WOOD SCREWS ONLY.
- PRODUCTS SHALL BE CONSTRUCTED AS SPECIFIED IN TEST REPORTS 11835.06/10/11/12/13/14/15/17/18/19/22-106-II-R0, 11835.02/16-106-II-RI, 11835.05/07-106-II-R2 AND 11835.03-106-12-RI BY MOLIMO ARCHITECTURAL PRODUCT TESTING.
- POCKET WALL/CAVITY IS NOT PART OF THIS APPROVAL AND REVIEWED BY THE AUTHORITY HAVING JURISDICTION (AHJ).
- USE A BACKER ROD ON ALL JOINTS  $>3/4"$  DEEP AND/OR WIDER THAN  $1/4"$ . FINISHED CAULK JOINT SHOULD BE A MINIMUM OF  $3/8"$  DEEP.

SIZE CHART					
OVERALL FRAME MAX. SIZE		PERFORMANCE RATING	DESIGN PRESSURE	MIN. SILL RISER	INSTALLATION METHOD
WIDTH	HEIGHT				
353"	96"	LC-PG50	+50/-50 PSF	1-3/4"	NAIL FIN OR THROUGH FRAME
281"	120"		+50/-50 PSF		

PANEL SIZE CHART				
PANEL CALL SIZE	PANEL MAX. SIZE	MAX. D.L.O.		GLAZING DETAIL TYPE
		WIDTH	HEIGHT	
3-0 8-0	37-1/8" x 93-1/8"	28-1/8"	84-1/16"	1, 2, 3 OR 4
3-0 10-0	37-1/8" x 117-1/8"	28-1/8"	108-1/8"	3 OR 4
4-0 8-0	49-1/8" x 93-1/8"	40-1/8"	84-1/16"	2, 3 OR 4
4-0 10-0	49-1/8" x 117-1/8"	40-1/8"	108-1/8"	4
5-0 8-0	61-1/8" x 93-1/8"	52-1/8"	84-1/16"	3 OR 4

TABLE OF CONTENTS	
SHEET	SHEET DESCRIPTION
1	SIZE CHART, PANEL SIZE CHART & GENERAL NOTES
2	TABLE 1
3	CONFIGURATIONS & ELEVATIONS
4	HORIZONTAL SECTION DETAILS
5	VERTICAL SECTION DETAILS
6-23	ANCHOR LAYOUTS
24	P-HOOK ANCHOR LAYOUT DETAILS
25	GLAZING DETAILS & SPLICE DETAILS

TITLE: MAXVIEW MULTI-SLIDE PATIO DOOR IMPACT SIZE CHART, PANEL SIZE CHART & GENERAL NOTES	DATE	BY	REVISION DESCRIPTION	DATE
	05/16/22	LMH	LMH	UPDATE PANEL SIZE CHART
			N22-023 ADDED TEST SIZES	08.30.23



09/16/2023  
LUCAS A. TURNER, P.E.  
FL PE # 58201  
TURNER ENGINEERING & CONSULTING, INC.  
(COA # 29779)  
2428 OLD NATCHEZ TRACE TRAIL, CAMDEN, TN 38320  
PH. 941-380-1574

FL#: **41795**

DWG #: **IN0602**

SHEET: **1-FL OF 25**

# PERFORMANCE GRADE LC-PG50 (IMPACT)



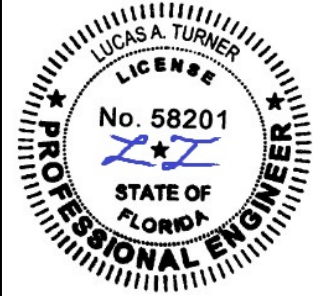
1 COCHRANE AVENUE  
PENNSBORO, WV 26415  
PH: 800-542-9118

## TABLE I: INSTALLATION FASTENERS TABLE

ID	FRAME LOCATION	SUBSTRATE TYPE	ANCHOR TYPE	MIN. EDGE DISTANCE	MIN. EMBED.	MIN. ON CENTER SPACING	PANEL WIDTH					
							UP TO 3-0 10-0 MAX.		UP TO 4-0 10-0 MAX.		UP TO 5-0 8-0 MAX.	
							HEAD & SILL CLUSTERS QUANTITY	JAMB O.C. SPACING	HEAD & SILL CLUSTERS QUANTITY	JAMB O.C. SPACING	HEAD & SILL CLUSTERS QUANTITY	JAMB O.C. SPACING
A	HEAD/SILL/JAMB	CONCRETE (2 KSI MIN.)	1/4" ITW TAPCON W/ADVANCED THREADFORM TECHNOLOGY COATED CARBON STEEL	1-1/2"	1-3/4"	4"	3	16-3/4"	3	16-3/4"	3	16-3/4"
B	JAMBS ONLY	HOLLOW OR GROUT-FILLED CMU (ASTM C-90)	1/4" ITW TAPCON W/ADVANCED THREADFORM TECHNOLOGY COATED CARBON STEEL	2"	1"	4"	N/A	15-1/4"	N/A	15-1/4"	N/A	15-1/4"
C	HEAD/SILL/JAMB	CONCRETE (3.05 KSI MIN.)	1/4" DEWALT ULTRACON+, COATED CARBON STEEL	1"	1-3/8"	4"	4	15-1/4"	5	15-1/4"	5	15-1/4"
D	HEAD/SILL/JAMB	CONCRETE (3.05 KSI MIN.)	1/4" DEWALT ULTRACON+, COATED CARBON STEEL	2-1/2"	1-3/8"	4"	3	16-3/4"	3	16-3/4"	3	16-3/4"
E	JAMBS ONLY	HOLLOW CMU (ASTM C-90)	1/4" DEWALT ULTRACON+, COATED CARBON STEEL	1"	1-1/4"	3"	N/A	15-1/4"	N/A	15-1/4"	N/A	15-1/4"
F	JAMBS ONLY	HOLLOW CMU (ASTM C-90)	1/4" DEWALT ULTRACON+, COATED CARBON STEEL	2-1/2"	1-1/4"	3"	N/A	16-3/4"	N/A	16-3/4"	N/A	16-3/4"
G	JAMBS ONLY	GROUT-FILLED CMU (ASTM C-90)	1/4" DEWALT ULTRACON+, COATED CARBON STEEL	1"	1-1/4"	4"	N/A	16-3/4"	N/A	16-3/4"	N/A	16-3/4"
H	HEAD/SILL/JAMB	CONCRETE (3 KSI MIN.)	1/4" HILTI KWIK-CON+, COATED CARBON STEEL	2-1/2"	1"	2"	3	16-3/4"	3	16-3/4"	3	16-3/4"
I	JAMBS ONLY	HOLLOW OR GROUT-FILLED CMU (ASTM C-90)	1/4" HILTI KWIK-CON+, COATED CARBON STEEL	2-1/2"	1"	4"	N/A	16-3/4"	N/A	16-3/4"	N/A	16-3/4"
J	HEAD/SILL/JAMB	CONCRETE (2.22 KSI MIN.)	1/4" DEWALT AGGRE-GATOR, 300 STAINLESS STEEL	1-1/2"	1-3/8"	3"	3	16-3/4"	3	16-3/4"	3	16-3/4"
K	JAMBS ONLY	HOLLOW OR GROUT-FILLED CMU (ASTM C-90)	1/4" DEWALT AGGRE-GATOR, 300 STAINLESS STEEL	2"	1-1/4"	3"	N/A	16-3/4"	N/A	16-3/4"	N/A	16-3/4"
L	HEAD/SILL/JAMB	2X MIN. SPRUCE-PINE-FIR WOOD (G>=0.42)	#12 GRADE 5 WOOD SCREW	3/4"	1-1/2"	3"	4	16-1/2"	5	16-1/2"	5	16-1/2"
M	HEAD/SILL/JAMB	2X MIN. SOUTHERN PINE WOOD (G>=0.55)	#12 GRADE 5 WOOD SCREW	3/4"	1-1/2"	3"	4	16-1/2"	5	16-1/2"	5	16-1/2"
N	HEAD/SILL/JAMB	2X MIN. SPRUCE-PINE-FIR WOOD (G>=0.42)	1/4" MASONRY FASTENERS AS LISTED IN THIS TABLE	1"	1-1/2"	3"	4	16-1/2"	5	16-1/2"	5	16-1/2"
O	HEAD/SILL/JAMB	2X MIN. SOUTHERN PINE WOOD (G>=0.55)	1/4" MASONRY FASTENERS AS LISTED IN THIS TABLE	1"	1-1/2"	3"	4	16-1/2"	5	16-1/2"	5	16-1/2"
P	HEAD/SILL/JAMB	16 GAUGE (0.060"), MIN. STEEL STUD, 33 KSI YIELD MIN.	#12-14 ITW TEKS, DEWALT DRIL-FLEX, OR HILTI KWIK-FLEX SELF-DRILLING SCREW	1/2"	FULL PLUS 3 THREADS MIN.	3"	3	16-3/4"	3	16-3/4"	3	16-3/4"
Q	HEAD/SILL/JAMB	1/8" ALUM. 6063-T5 MIN. OR 1/8" STEEL 36 KSI MIN.	#12-14 GRADE 5 SELF-TAPPING/DRILLING SCREW	1/2"	FULL PLUS 3 THREADS MIN.	3"	3	16-3/4"	3	16-3/4"	3	16-3/4"

NOTES: -ALL SCREWS SHALL BE PAN OR HEX WASHER HEAD.  
-PRE-DRILLING FOR ANCHORS INTO WOOD IS RECOMMENDED.  
-SEE SHEET 21 FOR P-HOOK DETAILS  
-CONCRETE/MASONRY SHALL NOT BE CRACKED.

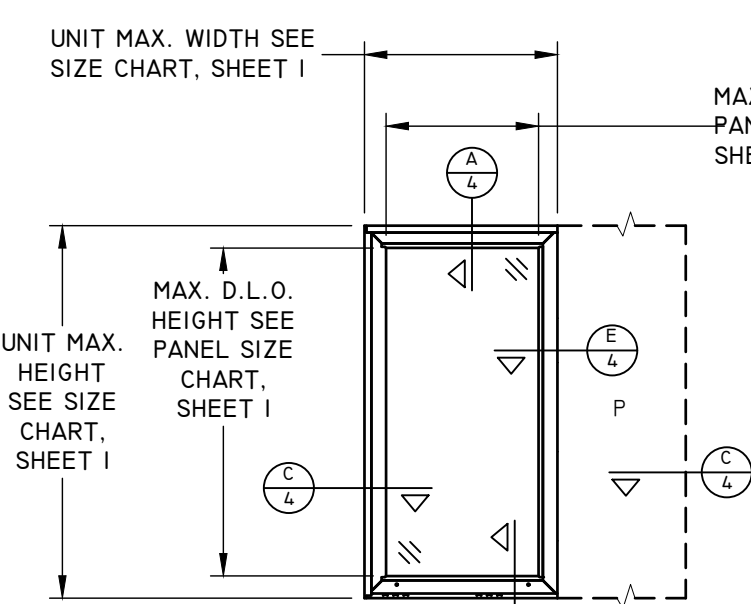
TITLE: MAXVIEW MULTI-SLIDE PATIO DOOR IMPACT TABLE I	DATE	05/16/22	BY	LMH	
	REVISION DESCRIPTION		DATE	08.22.22	
	NO.	A	BY	LMH	
		B	BY	SAS	
DWN BY:	LMH	CHK BY:	SAS	SCALE:	NTS



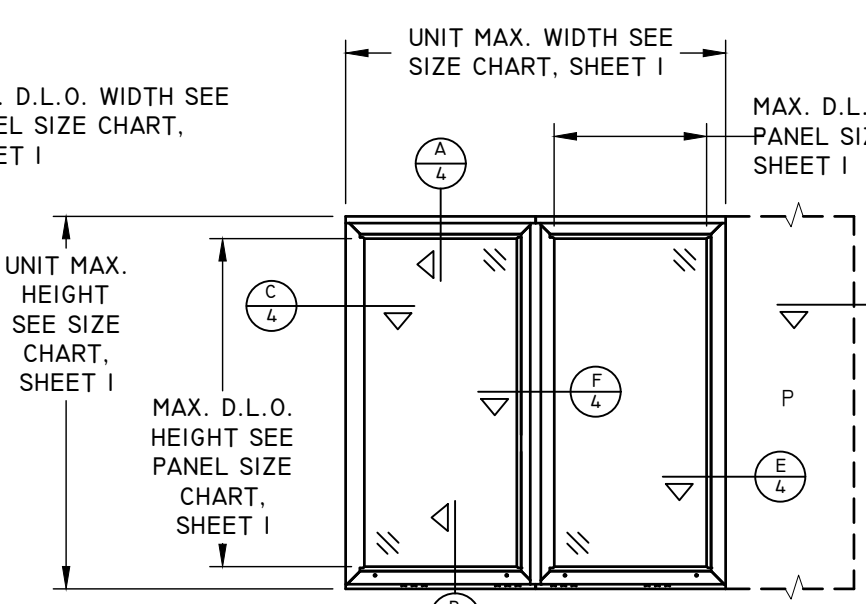
09/16/2023  
LUCAS A. TURNER, P.E.  
FL PE # 58201  
TURNER ENGINEERING & CONSULTING, INC.  
(COA # 29779)  
2428 OLD NACHEZ TRACE TRAIL, CAMDEN, TN 38320  
PH. 941-380-1574

FL#: **41795**  
DWG #: **IN0602**  
SHEET: **2 OF 25**

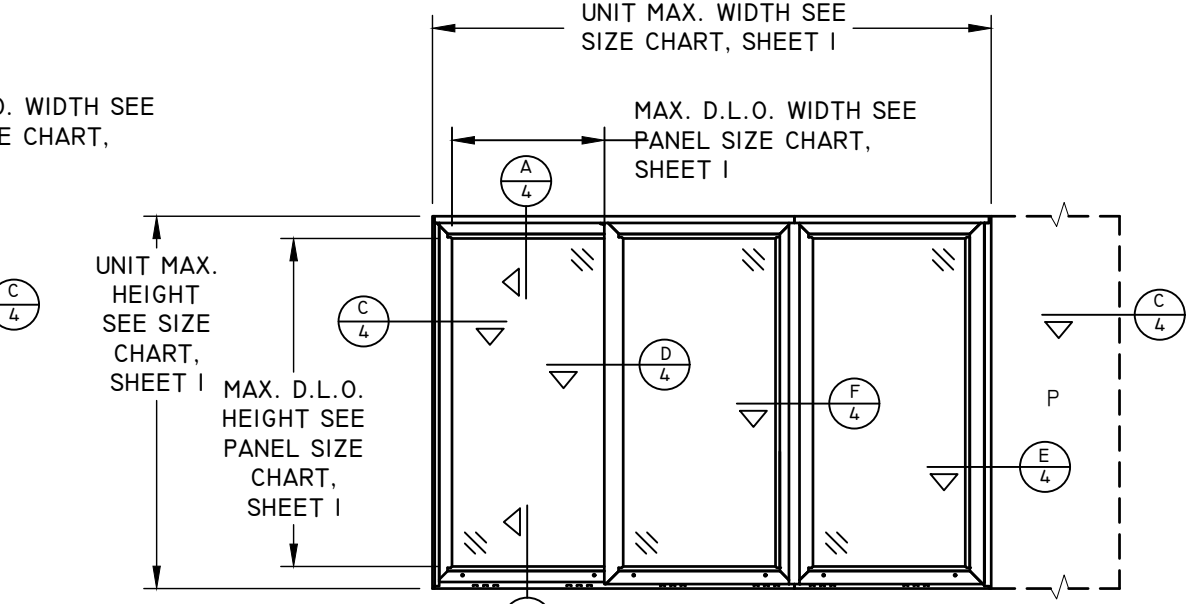
TITLE: MAXVIEW MULTI-SLIDE PATIO DOOR IMPACT CONFIGURATIONS & ELEVATIONS	NO.	REVISION DESCRIPTION	BY	DATE
	A	UPDATE PANEL SIZE CHART	LMH	08.22.22
	B	N22-023 ADDED TEST SIZES	LMH	08.30.23
DATE: 05/16/22	DWN BY: LMH	CHK BY: SAS	SCALE: NTS	



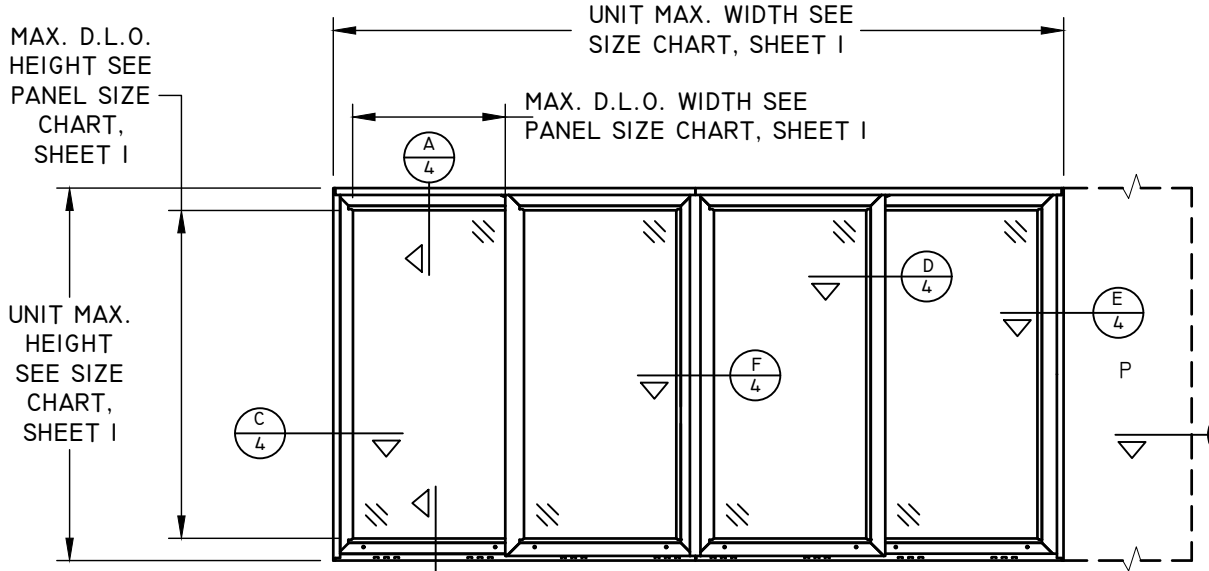
**TYPICAL ELEVATION**  
XP or PX



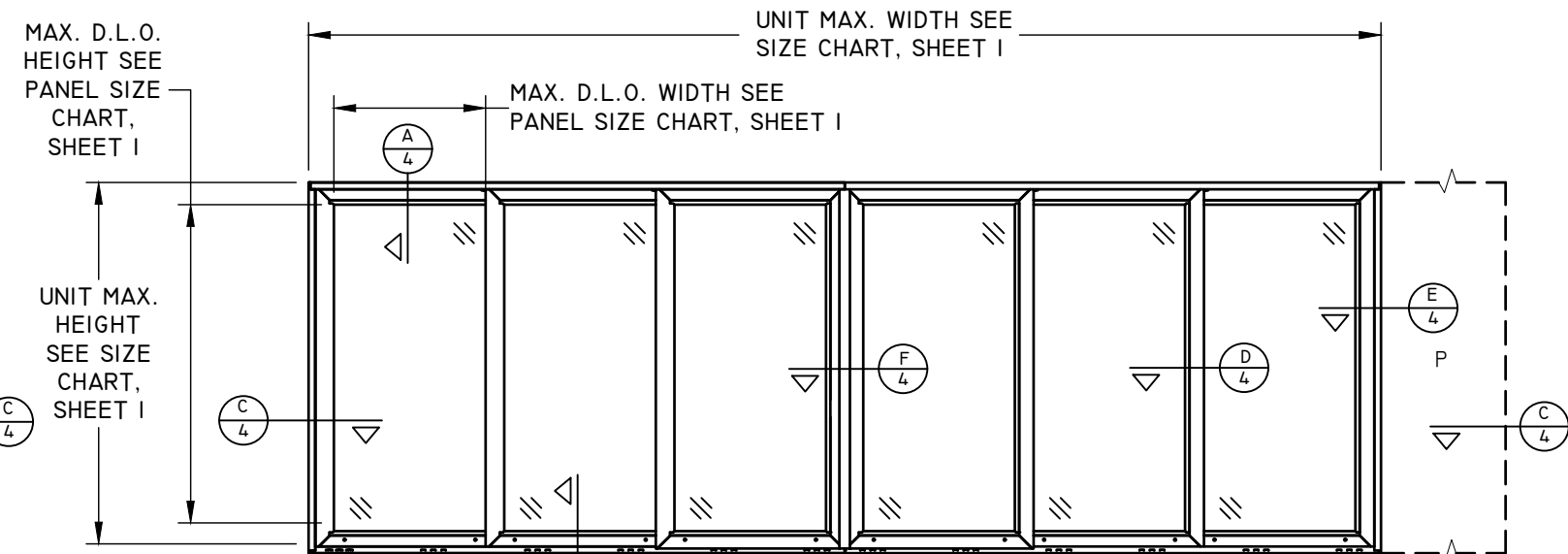
**TYPICAL ELEVATION**  
XO, OX, XX, PXX, XXP or PX-XP



**TYPICAL ELEVATION**  
XXXXP, PXXX, XXXL, XXO, OXX, OX-O or O-XO



**TYPICAL ELEVATION**  
XXXXP, PXXX, XXXL, XXXO, OXXX, PXX-XXP or OX-XO



**TYPICAL ELEVATION**  
OXX-XXO or PXXX-XXXX

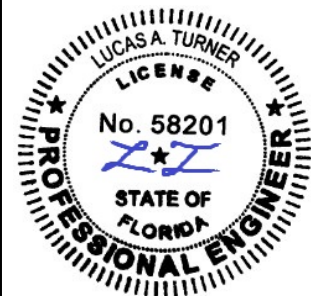
2 TRACK CONFIGURATIONS		
CONFIGURATION	# OF TRACKS	# OF PANELS
XP	2	1
PX	2	1
XXP	2	2
PXX	2	2
XX	2	2
XO	2	2
OX	2	2
PX-XP	2	2
OX-O	2	3
O-XO	2	3
PXX-XXP	2	4
OX-XO	2	4

3 TRACK CONFIGURATIONS		
CONFIGURATION	# OF TRACKS	# OF PANELS
XXXXP	3	3
PXXX	3	3
XXX	3	3
XXO	3	3
OXX	3	3
PXXX-XXXXP	3	6
OXX-XXO	3	6

4 TRACK CONFIGURATIONS		
CONFIGURATION	# OF TRACKS	# OF PANELS
XXXXP	4	4
PXXXX	4	4
XXXX	4	4
XXXO	4	4
OXXX	4	4

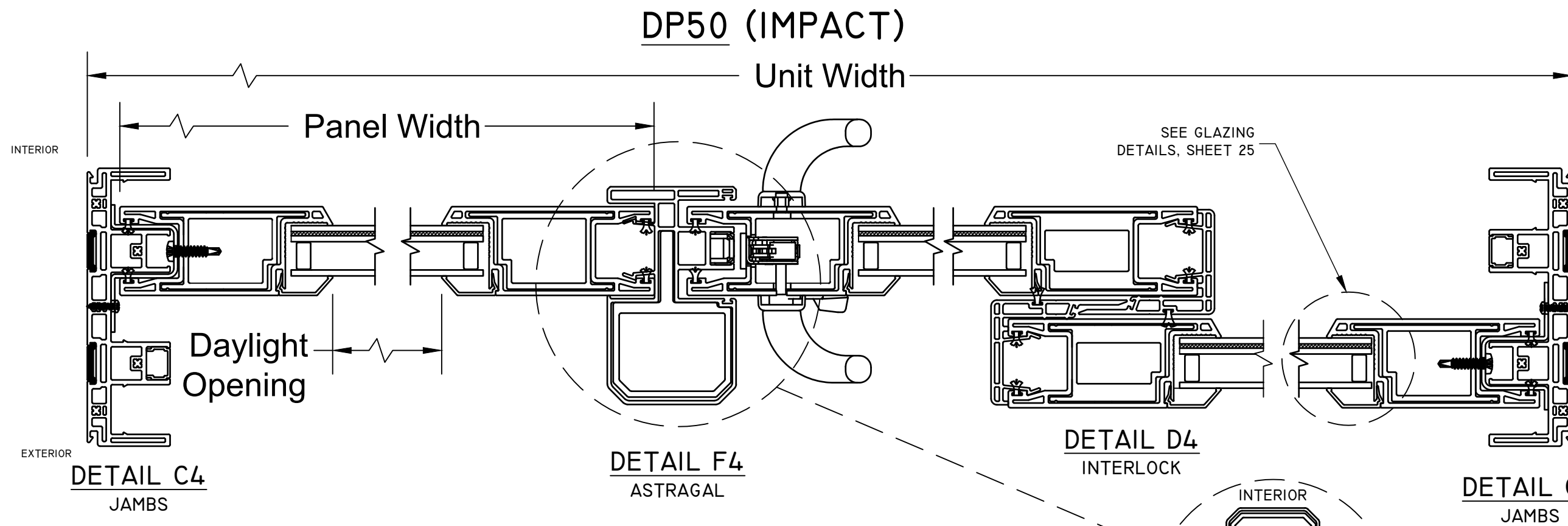
CONFIGURATION NOTES	
CODE	PANEL TYPE
O	FIXED PANEL
X	OPERATING PANEL
P	POCKET
-	BI-PARTING

**CONFIGURATION NOTES:**  
- ALL CONFIGURATIONS ARE AVAILABLE WITH POCKET AT EITHER OR BOTH JAMB LOCATIONS.

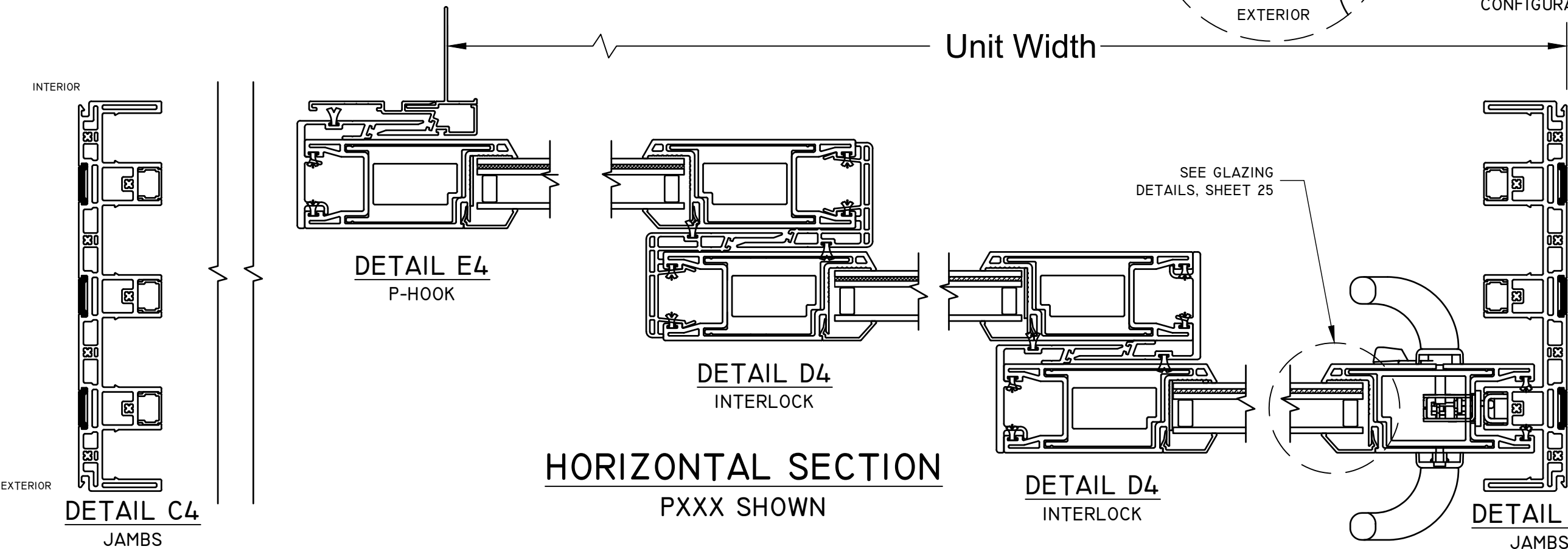


09/16/2023  
LUCAS A. TURNER, P.E.  
FL PE # 58201  
TURNER ENGINEERING & CONSULTING, INC.  
(COA # 29779)  
2428 OLD NATCHEZ TRACE TRAIL, CAMDEN, TN 38320  
PH. 941-380-1574

FL#: **41795**  
DWG #: **IN0602**  
SHEET: **3** OF **25**



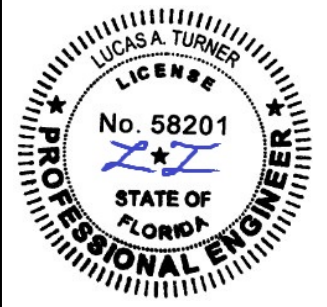
**HORIZONTAL SECTION**  
O-XO SHOWN



**HORIZONTAL SECTION**  
PXXX SHOWN

TITLE: MAXVIEW MULTI-SLIDE PATIO DOOR IMPACT HORIZONTAL SECTION DETAILS	NO.	REVISION DESCRIPTION	BY	DATE
	A	UPDATE PANEL SIZE CHART	LMH	08.22.22
	B	N22-023 ADDED TEST SIZES	LMH	08.30.23
DATE: 05/16/22	DWN BY: LMH	CHK BY: SAS	SCALE: NTS	

ASTRAGAL MAY BE MOUNTED TO INTERIOR ON REVERSE STACK AND SOME POCKET CONFIGURATIONS.



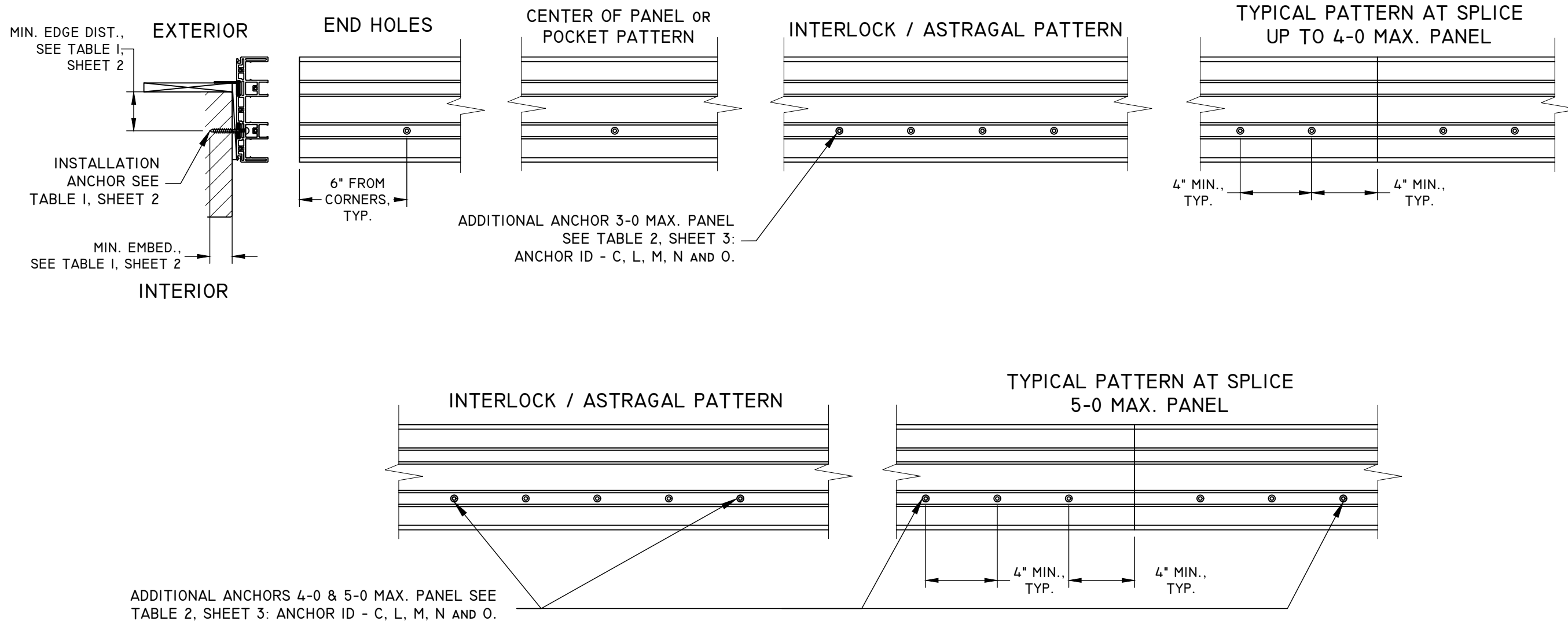
09/16/2023  
LUCAS A. TURNER, P.E.  
FL PE # 58201  
TURNER ENGINEERING & CONSULTING, INC.  
(COA # 29779)  
2428 OLD NATCHEZ TRACE  
TRAIL, CAMDEN, TN 38320  
PH. 941-380-1574

FL#:	<b>41795</b>
DWG #:	<b>IN0602</b>
SHEET:	<b>4 OF 25</b>



# 2 TRACK ANCHOR LAYOUT DETAILS WITH NAIL FIN - HEAD

## HEAD - DP50 (IMPACT)



### NOTES:

1. INSTALLATION HOLES ARE FABRICATED BY MANUFACTURER.
2. SEE TABLE 1, SHEET 2 FOR FASTENER MINIMUM EDGE DISTANCE, EMBEDMENT AND ON CENTER SPACING.
3. IX WOOD BUCK BY OTHERS IS OPTIONAL FOR MASONRY APPLICATIONS.
4. 1/4" MAX. SHIM STACK.
5. SPLICE DETAIL, SEE SHEET 25.

TITLE: MAXVIEW MULTI-SLIDE PATIO DOOR IMPACT ANCHOR LAYOUT		DATE	BY
NO.	REVISION DESCRIPTION	08.22.22	LMH
A	UPDATE PANEL SIZE CHART	08.30.23	LMH
B	N22-023 ADDED TEST SIZES		

DATE:	DWN BY:	CHK BY:	SCALE:
05/16/22	LMH	SAS	NTS



09/16/2023  
LUCAS A. TURNER, P.E.  
FL PE # 58201  
TURNER ENGINEERING &  
CONSULTING, INC.  
(COA # 29779)  
2428 OLD NATCHEZ TRACE  
TRAIL, CAMDEN, TN 38320  
PH. 941-380-1574

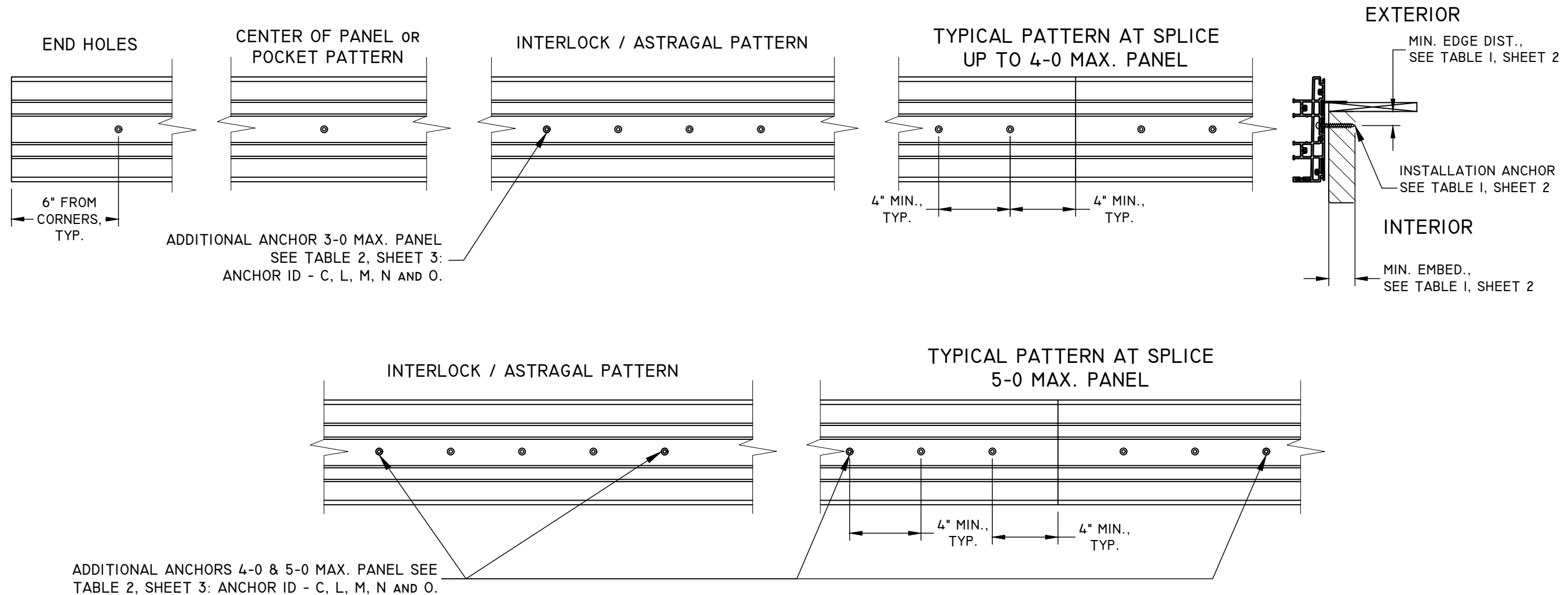
FL#: 41795

DWG #: IN0602

SHEET: 6 OF 25

# 2 TRACK ANCHOR LAYOUT DETAILS WITH NAIL FIN - SILL

## SILL - DP50 (IMPACT)



TITLE: MAXVIEW MULTI-SLIDE PATIO DOOR IMPACT ANCHOR LAYOUT

DATE: 05/16/22

DWN BY: LMH

CHK BY: SAS

SCALE: NTS

DATE: 08.22.22

BY: LMH

DATE: 08.30.23

BY: LMH

REVISION DESCRIPTION

NO. A UPDATE PANEL SIZE CHART

B N22-023 ADDED TEST SIZES



09/16/2023  
LUCAS A. TURNER, P.E.  
FL PE # 58201  
TURNER ENGINEERING & CONSULTING, INC.  
(COA # 29779)  
2428 OLD NATCHEZ TRACE  
TRAIL, CAMDEN, TN 38320  
PH. 941-380-1574

FL#: 41795

DWG #: IN0602

SHEET: 7 OF 25

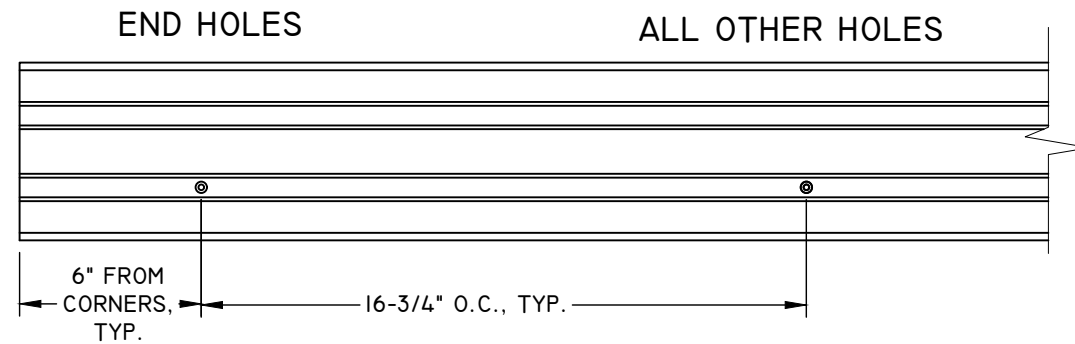
**NOTES:**

- INSTALLATION HOLES ARE FABRICATED BY MANUFACTURER.
- SEE TABLE 1, SHEET 2 FOR FASTENER MINIMUM EDGE DISTANCE, EMBEDMENT AND ON CENTER SPACING.
- IX WOOD BUCK BY OTHERS IS OPTIONAL FOR MASONRY APPLICATIONS.
- SILL NAIL FIN IS OPTIONAL.
- 1/4" MAX. SHIM STACK.
- SPLICE DETAIL, SEE SHEET 25.
- FILL ALL PRE-DRILLED INSTALLATION HOLES WITH EXTERIOR GRADE SEALANT PRIOR TO INSERTING SCREWS AND APPLY SEALANT OVER THE HEAD OF SCREWS ONCE PROPERLY SEATED.

# 2 TRACK ANCHOR LAYOUT DETAILS WITH NAIL FIN - JAMBS

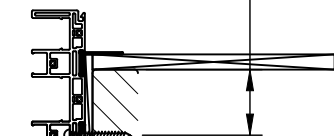
## JAMB - DP50 (IMPACT)

SEE TABLE I, SHEET 2:  
ANCHOR ID - A, D, F, G,  
H, I, J, K, P, AND Q.



EXTERIOR

MIN. EDGE DIST.,  
SEE TABLE I, SHEET 2

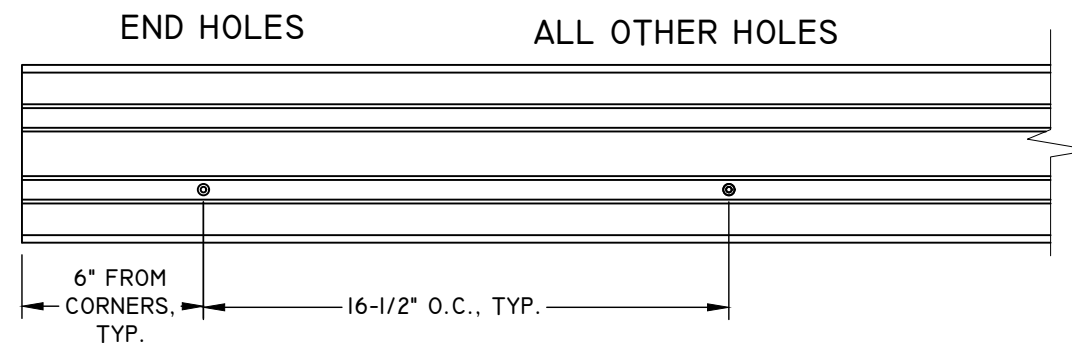


INSTALLATION ANCHOR  
SEE TABLE I, SHEET 2

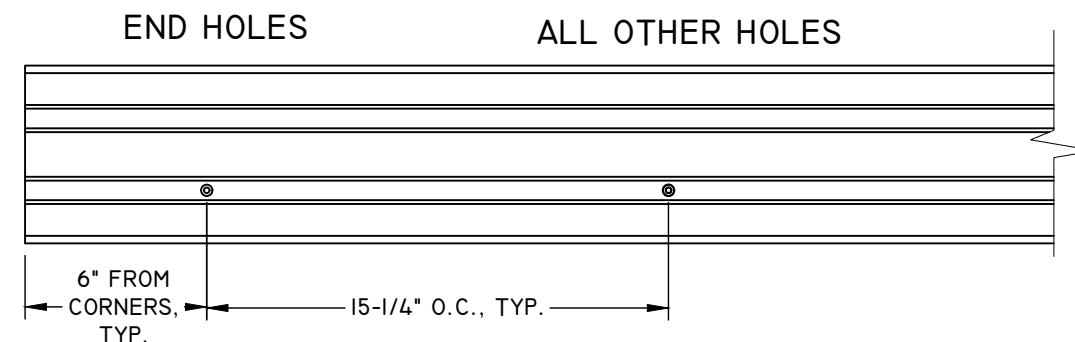
INTERIOR

MIN. EMBED.,  
SEE TABLE I, SHEET 2

SEE TABLE I, SHEET 2:  
ANCHOR ID - L, M, N, AND O.



SEE TABLE I, SHEET 2:  
ANCHOR ID - B, C, AND E.



**NOTES:**

1. INSTALLATION HOLES ARE FABRICATED BY MANUFACTURER.
2. SEE TABLE I, SHEET 2 FOR FASTENER MINIMUM EDGE DISTANCE, EMBEDMENT AND ON CENTER SPACING.
3. IX WOOD BUCK BY OTHERS IS OPTIONAL FOR MASONRY APPLICATIONS.
4. 1/4" MAX. SHIM STACK.
5. FILL LEFT & RIGHT PRE-DRILLED JAMB INSTALLATION HOLES - 6" FROM CORNER OF SILL ONLY, WITH EXTERIOR GRADE SEALANT PRIOR TO INSERTING SCREWS AND APPLY SEALANT OVER THE HEAD OF SCREWS ONCE PROPERLY SEATED.

TITLE: MAXVIEW MULTI-SLIDE PATIO DOOR IMPACT ANCHOR LAYOUT

DATE: 05/16/22

DWN BY: LMH

CHK BY: SAS

SCALE: NTS

DATE

BY

REVISION DESCRIPTION

NO. A UPDATE PANEL SIZE CHART

B N22-023 ADDED TEST SIZES

08.22.22

LMH

LMH

LMH

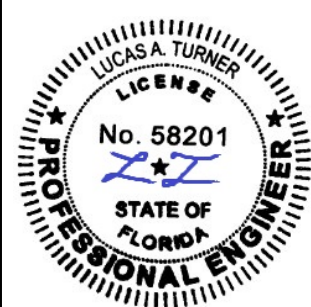
LMH

LMH

LMH

LMH

LMH



09/16/2023  
LUCAS A. TURNER, P.E.  
FL PE # 58201  
TURNER ENGINEERING &  
CONSULTING, INC.  
(COA # 29779)  
2428 OLD NATCHEZ TRACE  
TRAIL, CAMDEN, TN 38320  
PH. 941-380-1574

FL#: 41795

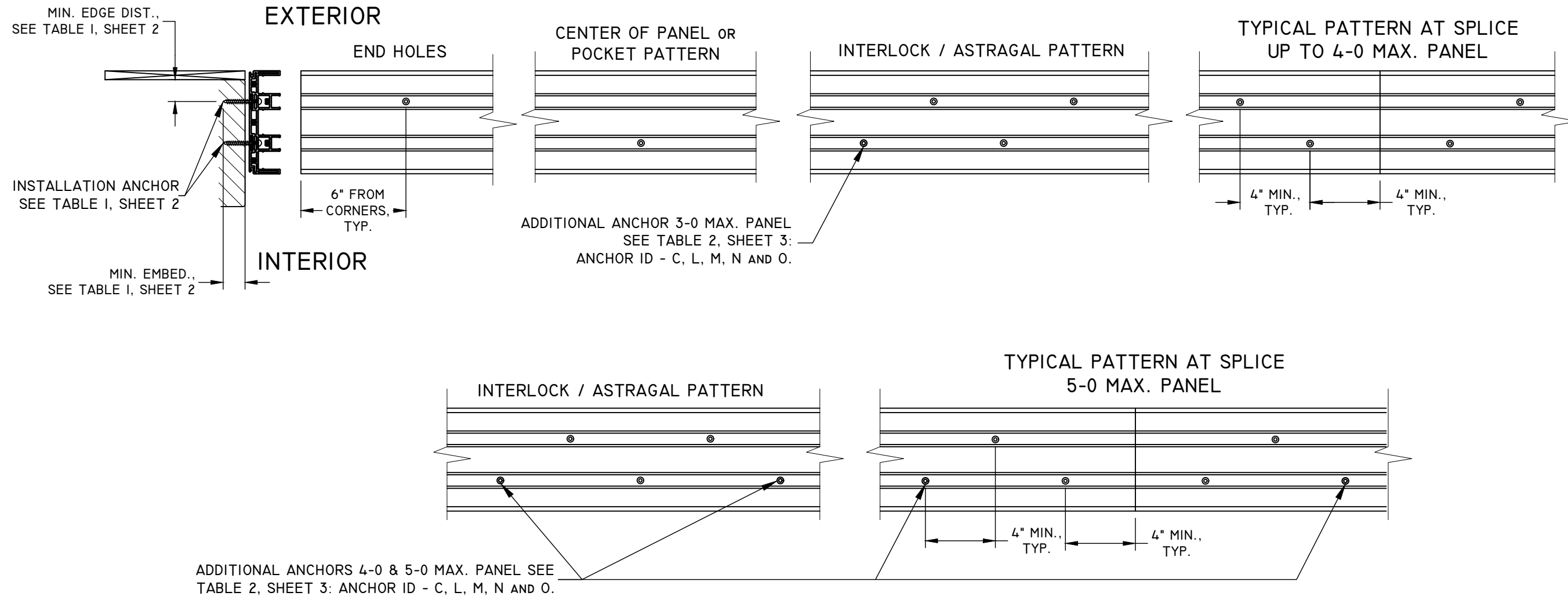
DWG #: IN0602

SHEET: 8 OF 25



# 2 TRACK ANCHOR LAYOUT DETAILS BOX FRAME - HEAD

## HEAD - DP50 (IMPACT)



**NOTES:**

1. INSTALLATION HOLES ARE FABRICATED BY MANUFACTURER.
2. SEE TABLE 1, SHEET 2 FOR FASTENER MINIMUM EDGE DISTANCE, EMBEDMENT AND ON CENTER SPACING.
3. IX WOOD BUCK BY OTHERS IS OPTIONAL FOR MASONRY APPLICATIONS.
4. 1/4" MAX. SHIM STACK.
5. SPLICE DETAIL, SEE SHEET 25.

TITLE: MAXVIEW MULTI-SLIDE PATIO DOOR IMPACT ANCHOR LAYOUT	DATE	08.22.22	
	BY	LMH	
	REVISION DESCRIPTION		
	NO.	A	B
	UPDATE PANEL SIZE CHART	N22-023 ADDED TEST SIZES	
DATE:	05/16/22	DWN BY:	LMH
		CHK BY:	SAS
		SCALE:	NTS



09/16/2023  
LUCAS A. TURNER, P.E.  
FL PE # 58201  
TURNER ENGINEERING &  
CONSULTING, INC.  
(COA # 29779)  
2428 OLD NATCHEZ TRACE  
TRAIL, CAMDEN, TN 38320  
PH. 941-380-1574

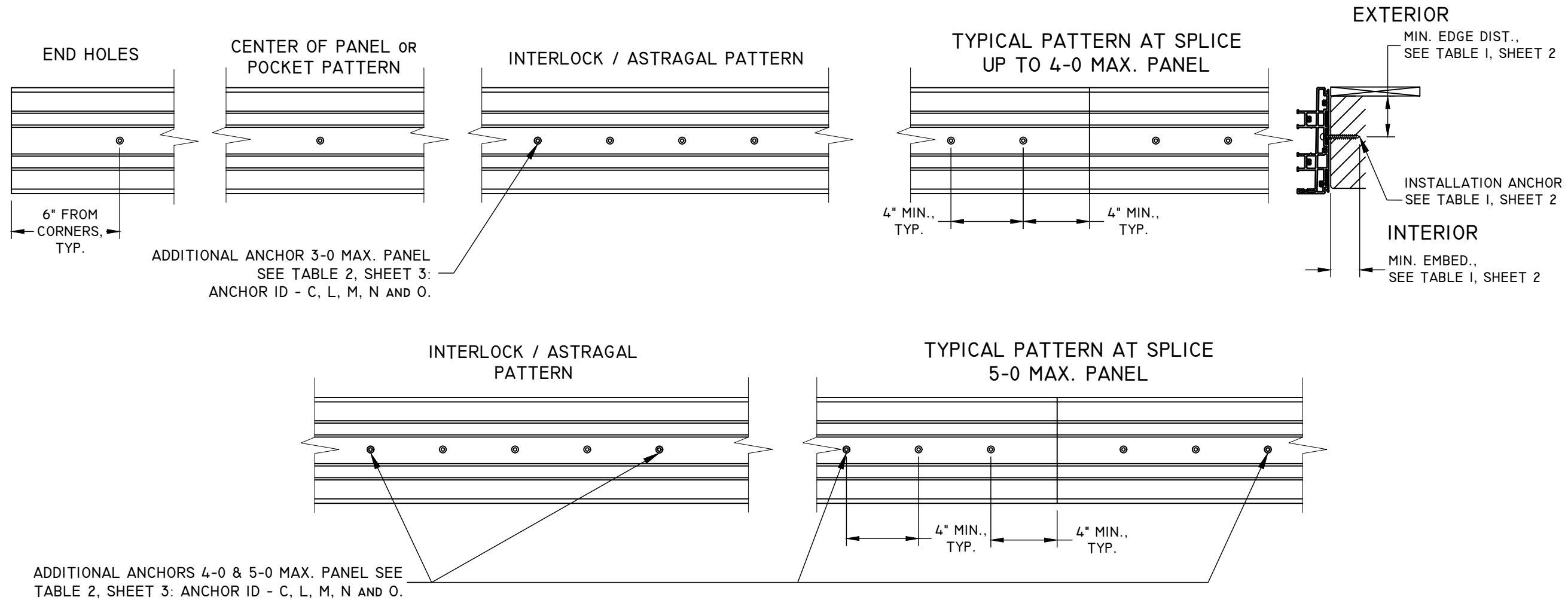
FL#: 41795

DWG #: IN0602

SHEET: 9 OF 25

# 2 TRACK ANCHOR LAYOUT DETAILS BOX FRAME - SILL

## SILL - DP50 (IMPACT)



ADDITIONAL ANCHORS 4-0 & 5-0 MAX. PANEL SEE TABLE 2, SHEET 3: ANCHOR ID - C, L, M, N AND O.

**NOTES:**

1. INSTALLATION HOLES ARE FABRICATED BY MANUFACTURER.
2. SEE TABLE I, SHEET 2 FOR FASTENER MINIMUM EDGE DISTANCE, EMBEDMENT AND ON CENTER SPACING.
3. IX WOOD BUCK BY OTHERS IS OPTIONAL FOR MASONRY APPLICATIONS.
4. 1/4" MAX. SHIM STACK.
5. SPLICE DETAIL, SEE SHEET 25.
6. FILL ALL PRE-DRILLED INSTALLATION HOLES WITH EXTERIOR GRADE SEALANT PRIOR TO INSERTING SCREWS AND APPLY SEALANT OVER THE HEAD OF SCREWS ONCE PROPERLY SEATED.

TITLE: MAXVIEW MULTI-SLIDE PATIO DOOR IMPACT ANCHOR LAYOUT	DATE	08.22.22		
	BY	LMH		
	REVISION DESCRIPTION			
	NO.	A	B	
DATE	05/16/22			
DWN BY:	LMH	CHK BY:	SAS	SCALE:
				NTS



09/16/2023  
LUCAS A. TURNER, P.E.  
FL PE # 58201  
TURNER ENGINEERING & CONSULTING, INC.  
(COA # 29779)  
2428 OLD NATCHEZ TRACE  
TRAIL, CAMDEN, TN 38320  
PH. 941-380-1574

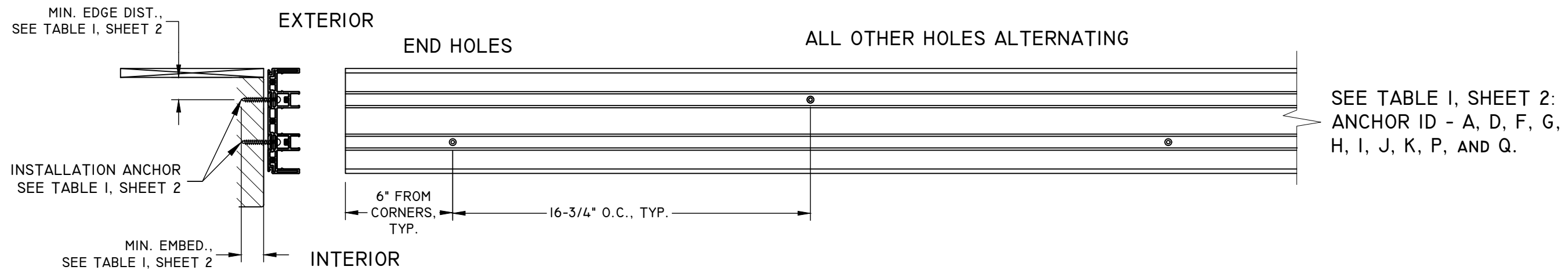
FL#: **41795**

DWG #: **IN0602**

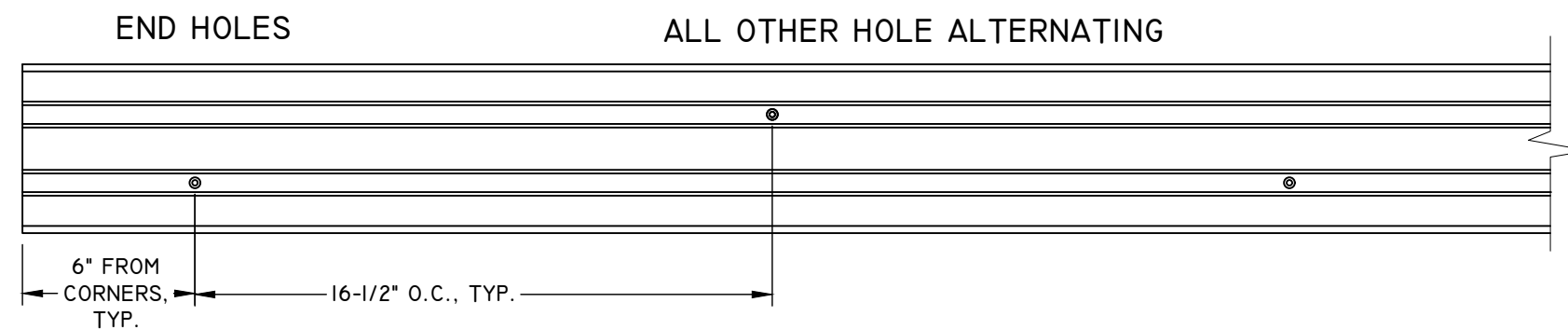
SHEET: **10** OF **25**

# 2 TRACK ANCHOR LAYOUT DETAILS BOX FRAME - JAMBS

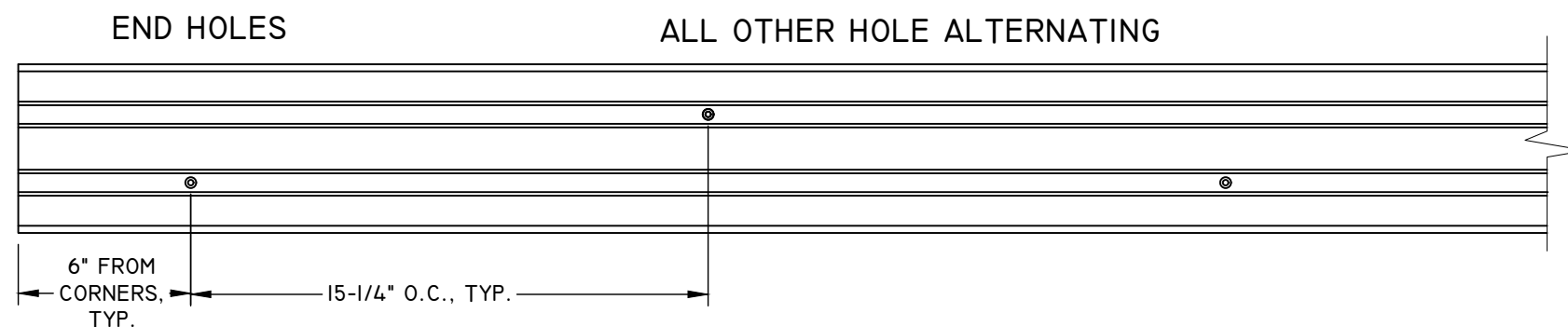
## JAMB - DP50 (IMPACT)



SEE TABLE I, SHEET 2:  
ANCHOR ID - A, D, F, G,  
H, I, J, K, P, AND Q.



SEE TABLE I, SHEET 2:  
ANCHOR ID - L, M, N, AND O.

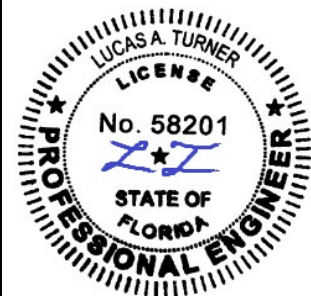


SEE TABLE I, SHEET 2:  
ANCHOR ID - B, C, AND E.

**NOTES:**

1. INSTALLATION HOLES ARE FABRICATED BY MANUFACTURER.
2. SEE TABLE I, SHEET 2 FOR FASTENER MINIMUM EDGE DISTANCE, EMBEDMENT AND ON CENTER SPACING.
3. IX WOOD BUCK BY OTHERS IS OPTIONAL FOR MASONRY APPLICATIONS.
4. 1/4" MAX. SHIM STACK.
5. FILL LEFT & RIGHT PRE-DRILLED JAMB INSTALLATION HOLES - 6" FROM CORNER OF SILL ONLY, WITH EXTERIOR GRADE SEALANT PRIOR TO INSERTING SCREWS AND APPLY SEALANT OVER THE HEAD OF SCREWS ONCE PROPERLY SEATED.

TITLE: MAXVIEW MULTI-SLIDE PATIO DOOR IMPACT ANCHOR LAYOUT	DATE	08.22.22		
	BY	LMH		
	REVISION DESCRIPTION			
	NO.	A	B	
	DWN BY:	LMH	CHK BY:	SAS
	DATE:	05/16/22		SCALE:
				NTS



09/16/2023  
LUCAS A. TURNER, P.E.  
FL PE # 58201  
TURNER ENGINEERING &  
CONSULTING, INC.  
(COA # 29779)  
2428 OLD NATCHEZ TRACE  
TRAIL, CAMDEN, TN 38320  
PH. 941-380-1574

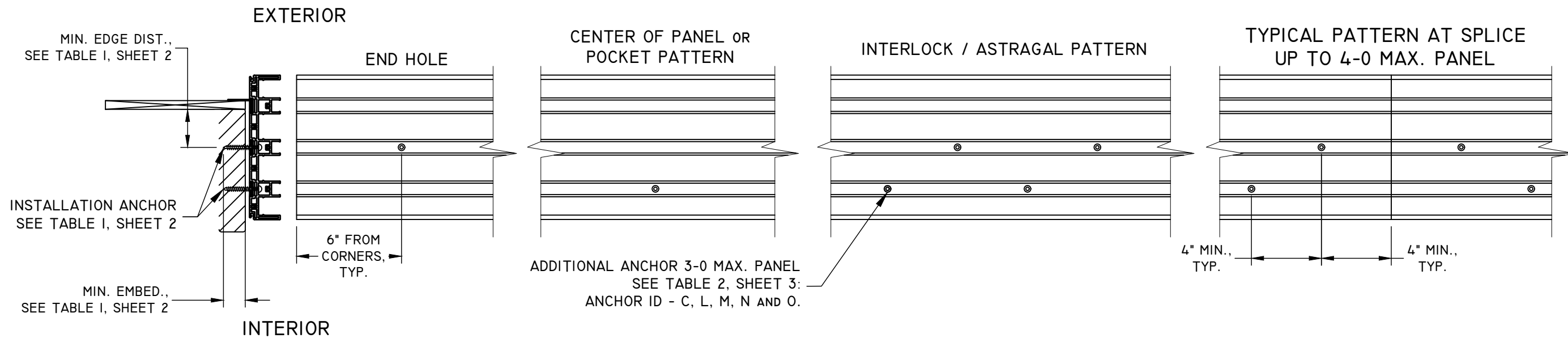
FL#: **41795**

DWG #: **IN0602**

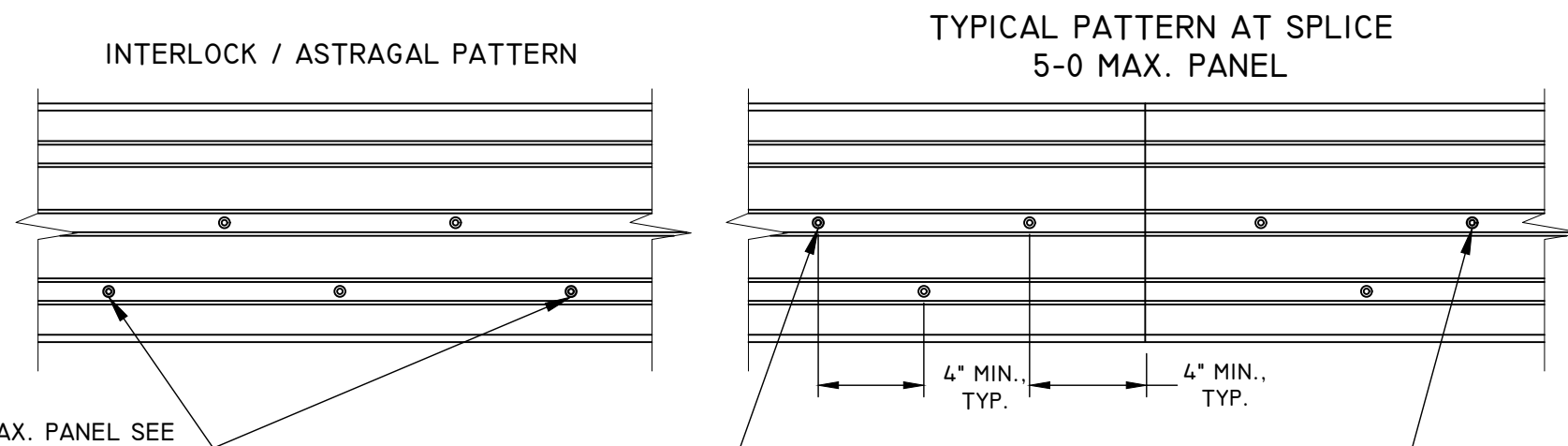
SHEET: **11** OF **25**

# 3 TRACK ANCHOR LAYOUT DETAILS WITH NAIL FIN - HEAD

## HEAD - DP50 (IMPACT)



ADDITIONAL ANCHOR 3-0 MAX. PANEL  
SEE TABLE 2, SHEET 3:  
ANCHOR ID - C, L, M, N AND O.



ADDITIONAL ANCHORS 4-0 & 5-0 MAX. PANEL SEE  
TABLE 2, SHEET 3: ANCHOR ID - C, L, M, N AND O.

**NOTES:**

1. INSTALLATION HOLES ARE FABRICATED BY MANUFACTURER.
2. SEE TABLE I, SHEET 2 FOR FASTENER MINIMUM EDGE DISTANCE, EMBEDMENT AND ON CENTER SPACING.
3. 1X WOOD BUCK BY OTHERS IS OPTIONAL FOR MASONRY APPLICATIONS.
4. 1/4" MAX. SHIM STACK.
5. SPLICE DETAILS, SEE SHEET 25.

TITLE: MAXVIEW MULTI-SLIDE PATIO DOOR IMPACT ANCHOR LAYOUT	DATE	08.22.22	
	BY	LMH	
	REVISION DESCRIPTION		
	NO.	A	UPDATE PANEL SIZE CHART
DATE	05/16/22		
DWN BY:	LMH	CHK BY:	SAS
SCALE:	NTS		



09/16/2023  
LUCAS A. TURNER, P.E.  
FL PE # 58201  
TURNER ENGINEERING &  
CONSULTING, INC.  
(COA # 29779)  
2428 OLD NATCHEZ TRACE  
TRAIL, CAMDEN, TN 38320  
PH. 941-380-1574

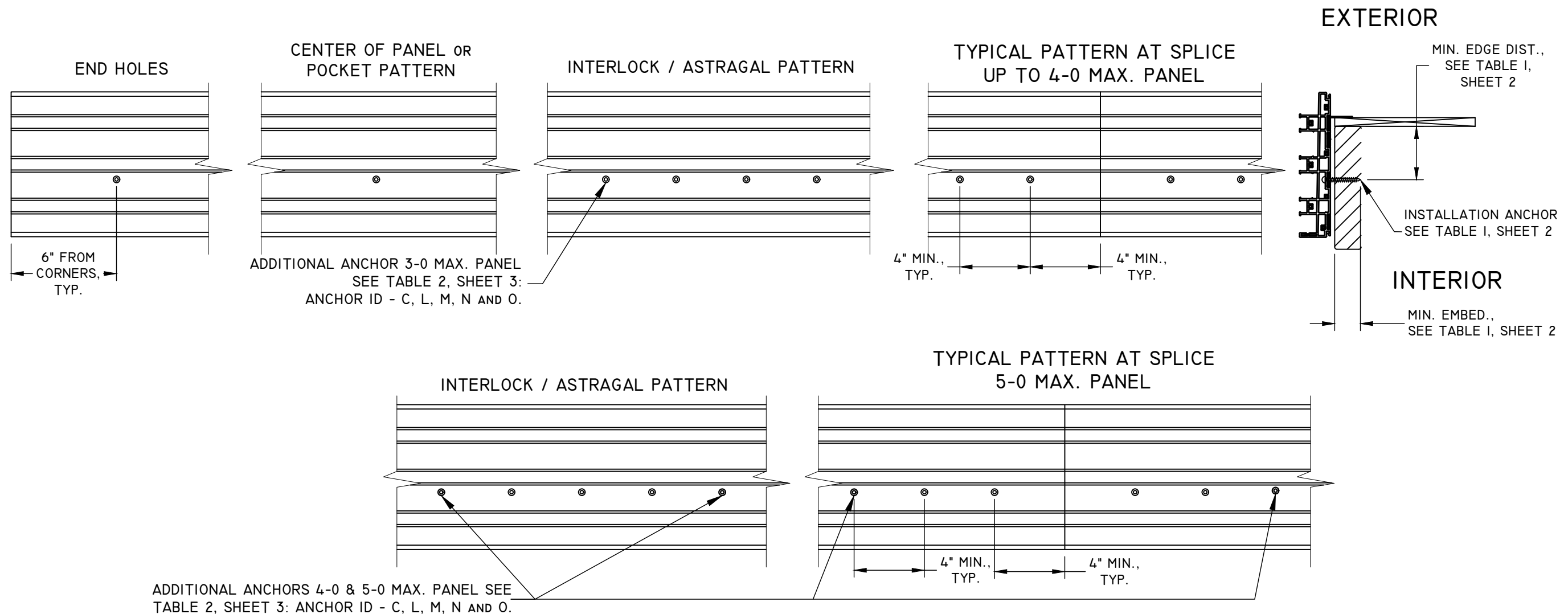
FL#: **41795**

DWG #: **IN0602**

SHEET: **12** OF **25**

# 3 TRACK ANCHOR LAYOUT DETAILS WITH NAIL FIN - SILL

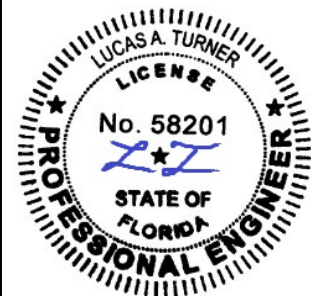
## SILL - DP50 (IMPACT)



**NOTES:**

1. INSTALLATION HOLES ARE FABRICATED BY MANUFACTURER.
2. SEE TABLE 1, SHEET 2 FOR FASTENER MINIMUM EDGE DISTANCE, EMBEDMENT AND ON CENTER SPACING.
3. IX WOOD BUCK BY OTHERS IS OPTIONAL FOR MASONRY APPLICATIONS.
4. SILL NAIL FIN IS OPTIONAL.
5. 1/4" MAX. SHIM STACK.
6. SPLICE DETAIL, SEE SHEET 25.
7. FILL ALL PRE-DRILLED INSTALLATION HOLES WITH EXTERIOR GRADE SEALANT PRIOR TO INSERTING SCREWS AND APPLY SEALANT OVER THE HEAD OF SCREWS ONCE PROPERLY SEATED.

TITLE: MAXVIEW MULTI-SLIDE PATIO DOOR IMPACT ANCHOR LAYOUT	DATE	08.22.22		
	BY	LMH		
	REVISION DESCRIPTION			
	NO.	A	B	
DATE:	DWN BY:	CHK BY:	SCALE:	
05/16/22	LMH	SAS	NTS	
	REVISION DESCRIPTION	UPDATE PANEL SIZE CHART	N22-023 ADDED TEST SIZES	



09/16/2023  
LUCAS A. TURNER, P.E.  
FL PE # 58201  
TURNER ENGINEERING & CONSULTING, INC.  
(COA # 29779)  
2428 OLD NATCHEZ TRACE  
TRAIL, CAMDEN, TN 38320  
PH. 941-380-1574

FL#: 41795

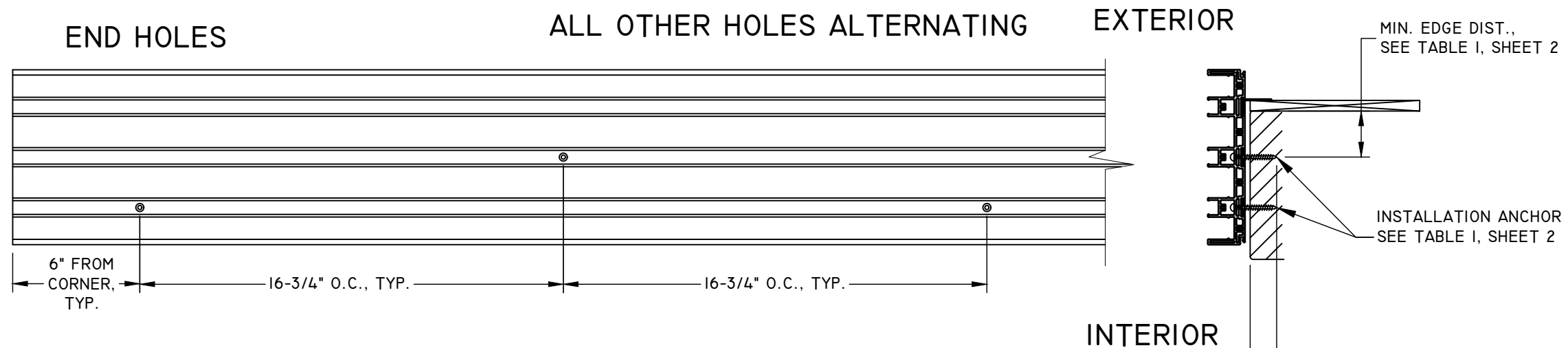
DWG #: IN0602

SHEET: 13 OF 25

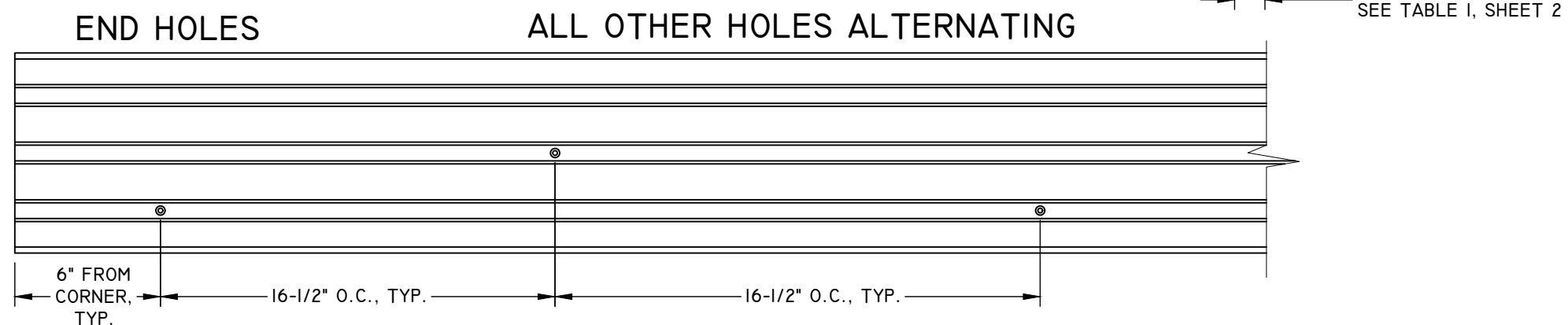
# 3 TRACK ANCHOR LAYOUT DETAILS WITH NAIL FIN - JAMBS

## JAMB - DP50 (IMPACT)

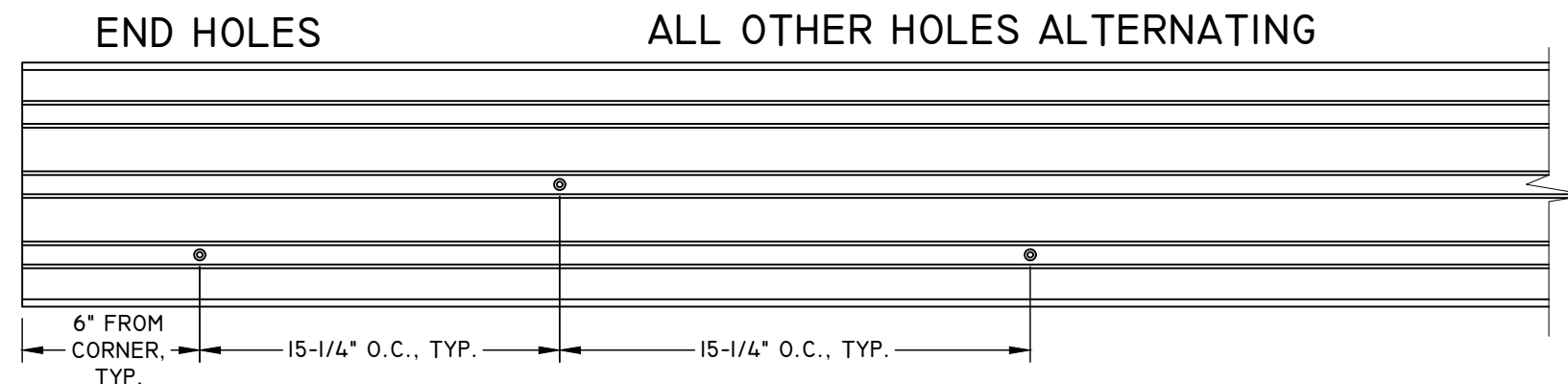
SEE TABLE I, SHEET 2:  
ANCHOR ID - A, D, F, G,  
H, I, J, K, P, AND Q.



SEE TABLE I, SHEET 2:  
ANCHOR ID - L, M, N, AND O.



SEE TABLE I, SHEET 2:  
ANCHOR ID - B, C, AND E.



**NOTES:**

1. INSTALLATION HOLES ARE FABRICATED BY MANUFACTURER.
2. SEE TABLE I, SHEET 2 FOR FASTENER MINIMUM EDGE DISTANCE, EMBEDMENT AND ON CENTER SPACING.
3. IX WOOD BUCK BY OTHERS IS OPTIONAL FOR MASONRY APPLICATIONS.
4. 1/4" MAX. SHIM STACK.
5. FILL LEFT & RIGHT PRE-DRILLED JAMB INSTALLATION HOLES - 6" FROM CORNER OF SILL ONLY, WITH EXTERIOR GRADE SEALANT PRIOR TO INSERTING SCREWS AND APPLY SEALANT OVER THE HEAD OF SCREWS ONCE PROPERLY SEATED.

TITLE: MAXVIEW MULTI-SLIDE PATIO DOOR IMPACT ANCHOR LAYOUT	DATE	05/16/22	BY	LMH
	NO.	A	REVISION DESCRIPTION	UPDATE PANEL SIZE CHART
	CHK BY:	SAS	NO.	B
	SCALE:	NTS	DATE	08.22.22
	DWN BY:	LMH	BY	LMH
	CHK BY:	SAS	DATE	08.30.23



09/16/2023  
LUCAS A. TURNER, P.E.  
FL PE # 58201  
TURNER ENGINEERING &  
CONSULTING, INC.  
(COA # 29779)  
2428 OLD NATCHEZ TRACE  
TRAIL, CAMDEN, TN 38320  
PH. 941-380-1574

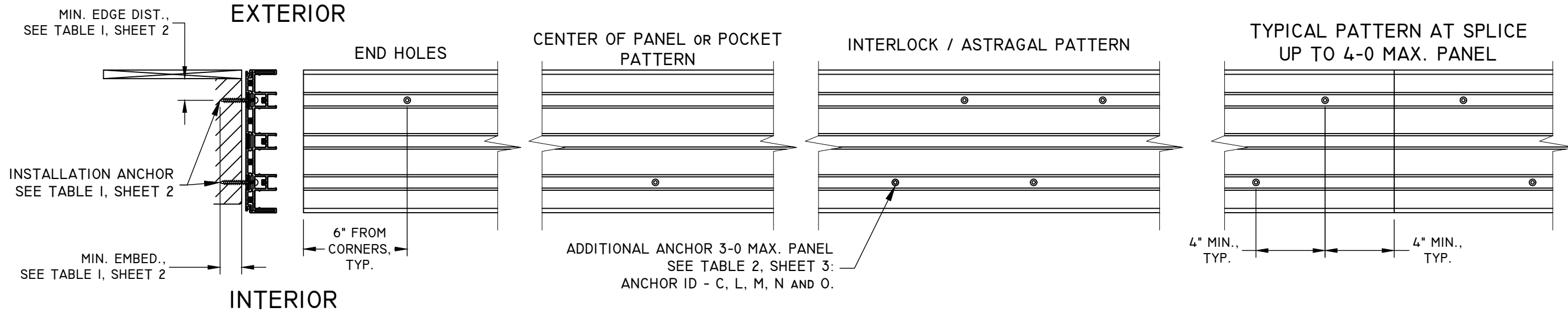
FL#: **41795**

DWG #: **IN0602**

SHEET: **14** OF **25**

# 3 TRACK ANCHOR LAYOUT DETAILS BOX FRAME - HEAD

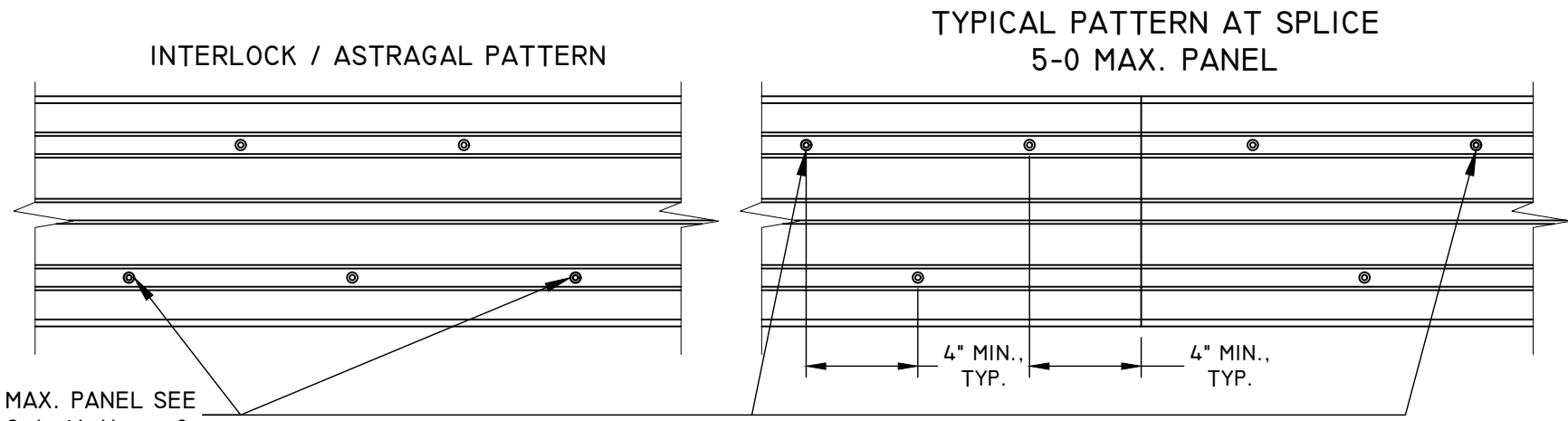
## HEAD - DP50 (IMPACT)



6" FROM CORNERS, TYP.

ADDITIONAL ANCHOR 3-0 MAX. PANEL  
SEE TABLE 2, SHEET 3:  
ANCHOR ID - C, L, M, N AND O.

4" MIN., TYP.      4" MIN., TYP.



ADDITIONAL ANCHORS 4-0 & 5-0 MAX. PANEL SEE  
TABLE 2, SHEET 3: ANCHOR ID - C, L, M, N AND O.

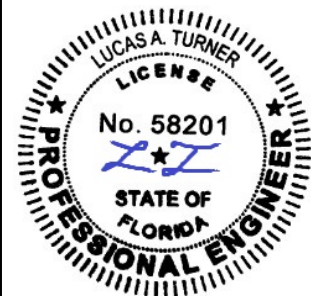
TYPICAL PATTERN AT SPLICE  
5-0 MAX. PANEL

4" MIN., TYP.      4" MIN., TYP.

**NOTES:**

1. INSTALLATION HOLES ARE FABRICATED BY MANUFACTURER.
2. SEE TABLE I, SHEET 2 FOR FASTENER MINIMUM EDGE DISTANCE, EMBEDMENT AND ON CENTER SPACING.
3. 1X WOOD BUCK BY OTHERS IS OPTIONAL FOR MASONRY APPLICATIONS.
4. 1/4" MAX. SHIM STACK.
5. SPLICE DETAILS, SEE SHEET 25.

TITLE: MAXVIEW MULTI-SLIDE PATIO DOOR IMPACT ANCHOR LAYOUT	DATE	08.22.22	
	BY	LMH	
	REVISION DESCRIPTION		
	NO.	A	UPDATE PANEL SIZE CHART
DATE	05/16/22		
DWN BY:	LMH	CHK BY:	SAS
SCALE:	NTS		



09/16/2023  
LUCAS A. TURNER, P.E.  
FL PE # 58201  
TURNER ENGINEERING &  
CONSULTING, INC.  
(COA # 29779)  
2428 OLD NATCHEZ TRACE  
TRAIL, CAMDEN, TN 38320  
PH. 941-380-1574

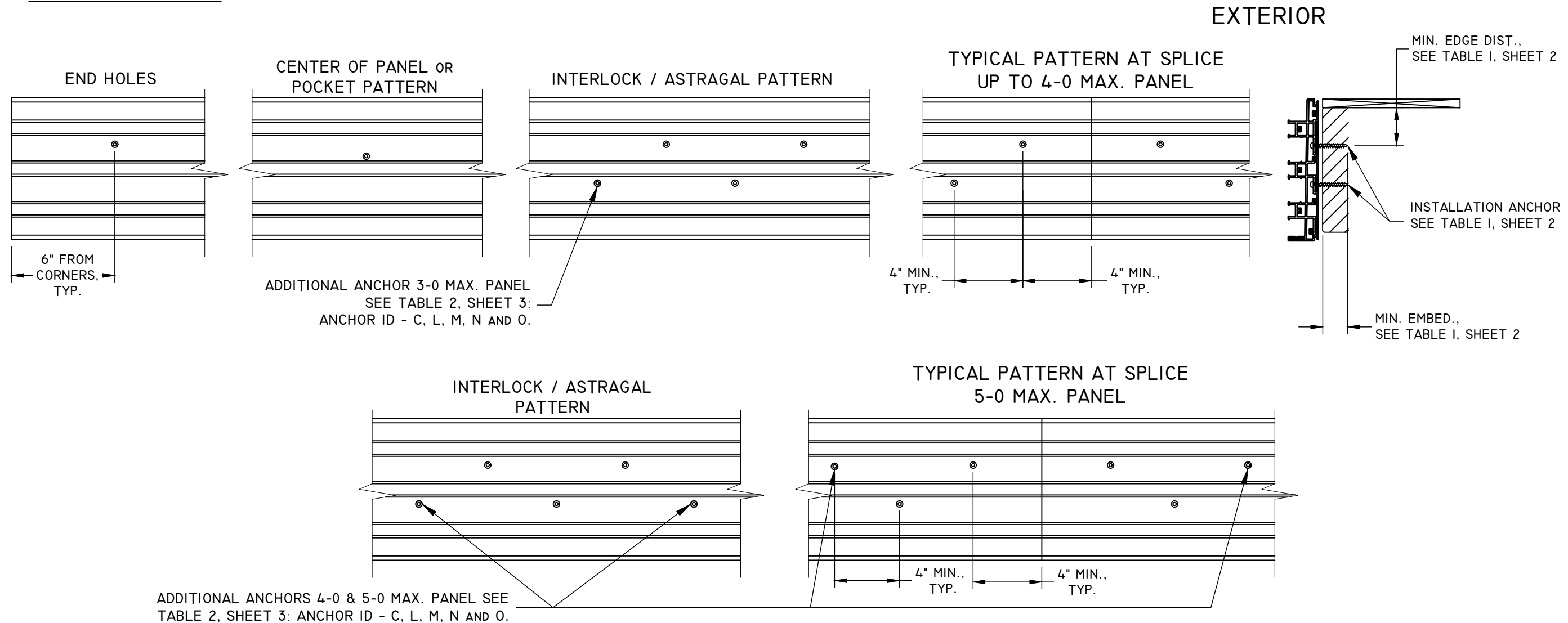
FL#: **41795**

DWG #: **IN0602**

SHEET: **15** OF **25**

# 3 TRACK ANCHOR LAYOUT DETAILS BOX FRAME - SILL

## SILL - DP50 (IMPACT)



**NOTES:**

1. INSTALLATION HOLES ARE FABRICATED BY MANUFACTURER.
2. SEE TABLE I, SHEET 2 FOR FASTENER MINIMUM EDGE DISTANCE, EMBEDMENT AND ON CENTER SPACING.
3. IX WOOD BUCK BY OTHERS IS OPTIONAL FOR MASONRY APPLICATIONS.
4. 1/4" MAX. SHIM STACK.
5. SPLICE DETAIL, SEE SHEET 25.
6. FILL ALL PRE-DRILLED INSTALLATION HOLES WITH EXTERIOR GRADE SEALANT PRIOR TO INSERTING SCREWS AND APPLY SEALANT OVER THE HEAD OF SCREWS ONCE PROPERLY SEATED.

TITLE: MAXVIEW MULTI-SLIDE PATIO DOOR IMPACT ANCHOR LAYOUT	DATE	08.22.22		
	BY	LMH		
REVISION DESCRIPTION	NO.	A	UPDATE PANEL SIZE CHART	
	NO.	B	N22-023 ADDED TEST SIZES	
DATE:	DWN BY:	CHK BY:	SCALE:	
05/16/22	LMH	SAS	NTS	



09/16/2023  
LUCAS A. TURNER, P.E.  
FL PE # 58201  
TURNER ENGINEERING & CONSULTING, INC.  
(COA # 29779)  
2428 OLD NATCHEZ TRACE TRAIL, CAMDEN, TN 38320  
PH. 941-380-1574

FL#: **41795**

DWG #: **IN0602**

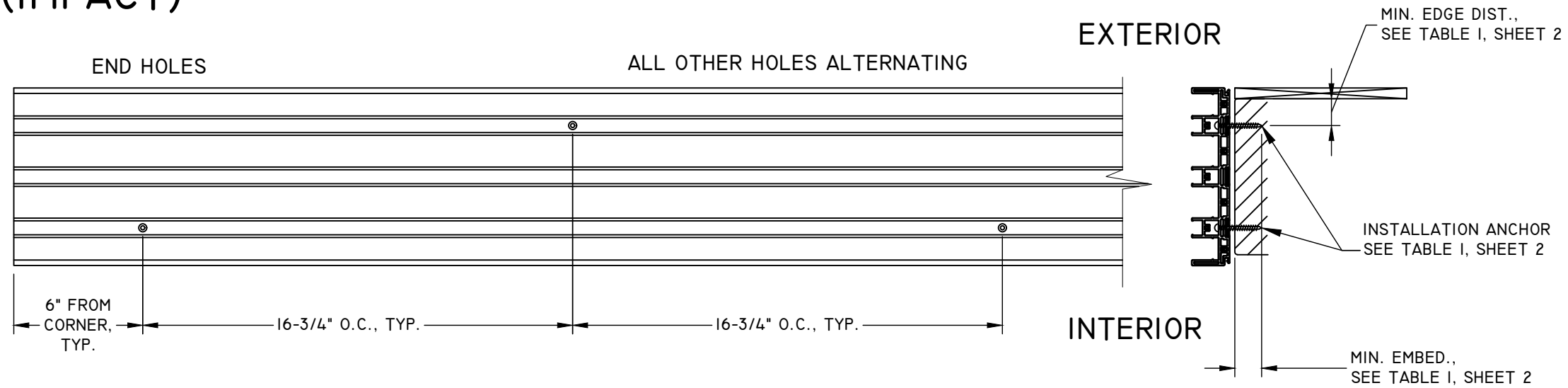
SHEET: **16** OF **25**



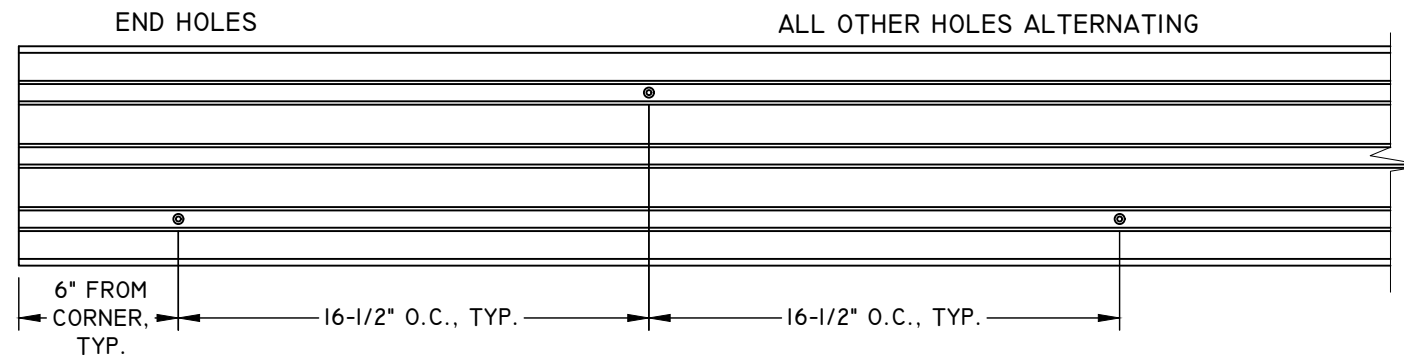
# 3 TRACK ANCHOR LAYOUT DETAILS BOX FRAME - JAMBS

## JAMB - DP50 (IMPACT)

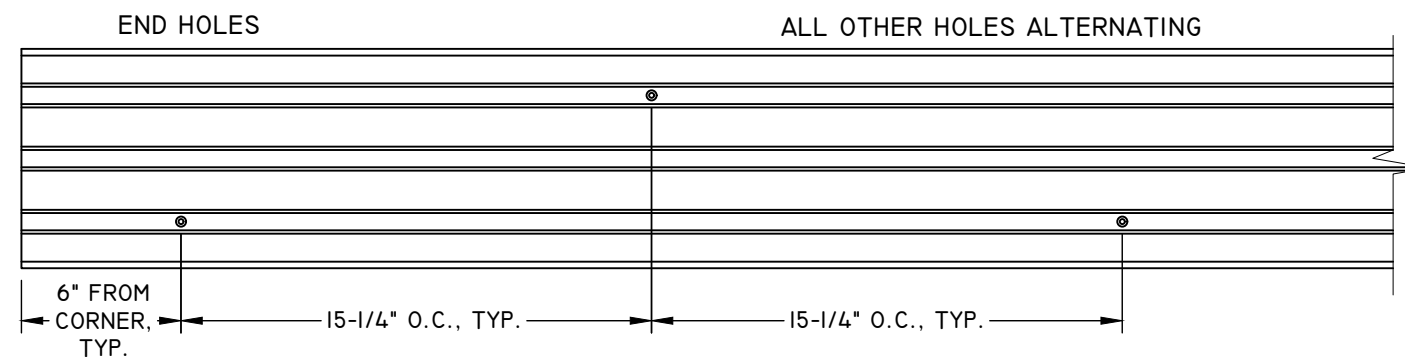
SEE TABLE I, SHEET 2:  
ANCHOR ID - A, D, F, G,  
H, I, J, K, P, AND Q.



SEE TABLE I, SHEET 2:  
ANCHOR ID - L, M, N, AND O.



SEE TABLE I, SHEET 2:  
ANCHOR ID - B, C, AND E.



**NOTES:**

1. INSTALLATION HOLES ARE FABRICATED BY MANUFACTURER.
2. SEE TABLE I, SHEET 2 FOR FASTENER MINIMUM EDGE DISTANCE, EMBEDMENT AND ON CENTER SPACING.
3. IX WOOD BUCK BY OTHERS IS OPTIONAL FOR MASONRY APPLICATIONS.
4. 1/4" MAX. SHIM STACK.
5. FILL LEFT & RIGHT PRE-DRILLED JAMB INSTALLATION HOLES - 6" FROM CORNER OF SILL ONLY, WITH EXTERIOR GRADE SEALANT PRIOR TO INSERTING SCREWS AND APPLY SEALANT OVER THE HEAD OF SCREWS ONCE PROPERLY SEATED.

TITLE: MAXVIEW MULTI-SLIDE PATIO DOOR IMPACT ANCHOR LAYOUT	DATE	05/16/22	BY	LMH
	DWN BY:	LMH	REVISION DESCRIPTION	A UPDATE PANEL SIZE CHART
	CHK BY:	SAS	NO.	B N22-023 ADDED TEST SIZES
	SCALE:	NTS	DATE	08.22.22
			BY	LMH
			DATE	08.30.23



09/16/2023  
LUCAS A. TURNER, P.E.  
FL PE # 58201  
TURNER ENGINEERING &  
CONSULTING, INC.  
(COA # 29779)  
2428 OLD NATCHEZ TRACE  
TRAIL, CAMDEN, TN 38320  
PH. 941-380-1574

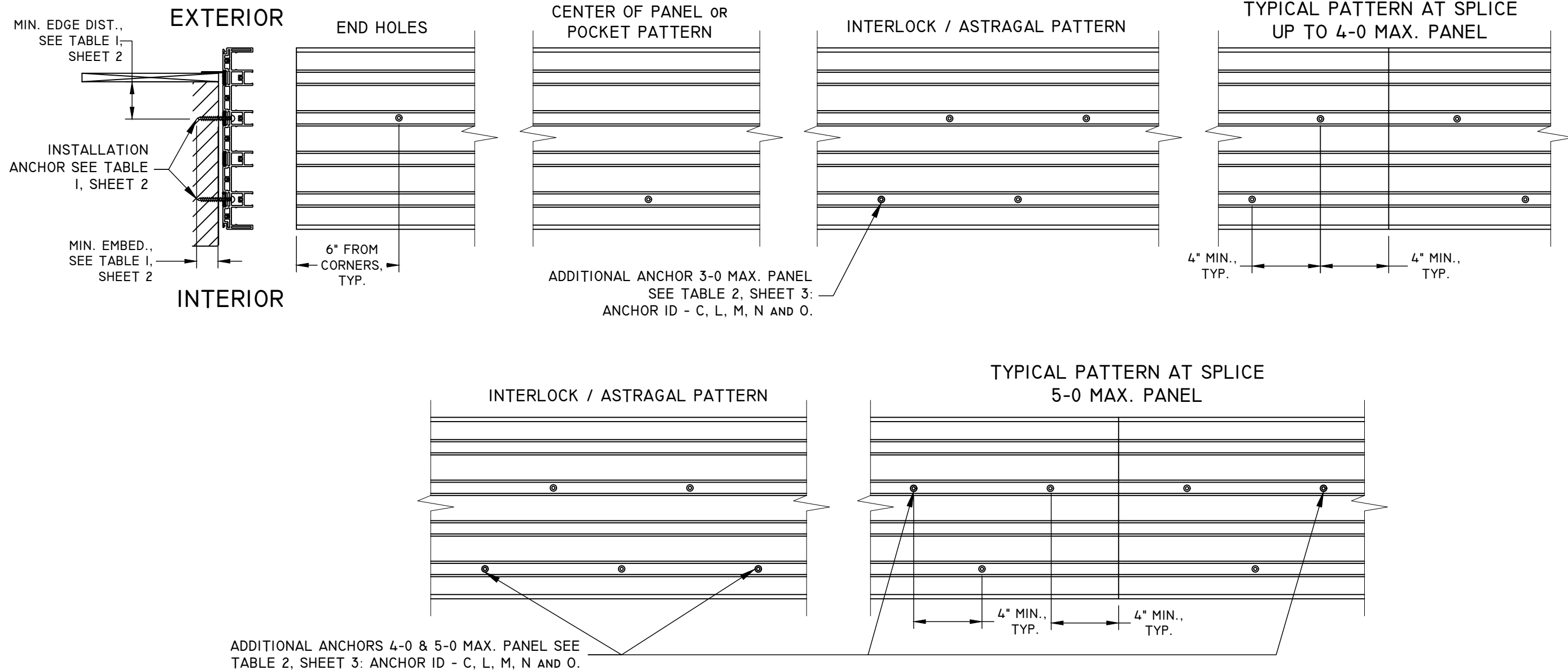
FL#: 41795

DWG #: IN0602

SHEET: 17 OF 25

# 4 TRACK ANCHOR LAYOUT DETAILS WITH NAIL FIN - HEAD

## HEAD - DP50 (IMPACT)



TITLE: MAXVIEW MULTI-SLIDE PATIO DOOR IMPACT ANCHOR LAYOUT

DATE: 05/16/22

DWN BY: LMH

CHK BY: SAS

SCALE: NTS

DATE: 08.22.22

BY: LMH

DATE: 08.30.23

BY: LMH

NO. A

REVISION DESCRIPTION: UPDATE PANEL SIZE CHART

NO. B

REVISION DESCRIPTION: N22-023 ADDED TEST SIZES

**NOTES:**

1. INSTALLATION HOLES ARE FABRICATED BY MANUFACTURER.
2. SEE TABLE 1, SHEET 2 FOR FASTENER MINIMUM EDGE DISTANCE, EMBEDMENT AND ON CENTER SPACING.
3. IX WOOD BUCK BY OTHERS IS OPTIONAL FOR MASONRY APPLICATIONS.
4. 1/4" MAX. SHIM STACK.
5. SPLICE DETAILS, SEE SHEET 25.



09/16/2023  
LUCAS A. TURNER, P.E.  
FL PE # 58201  
TURNER ENGINEERING & CONSULTING, INC.  
(COA # 29779)  
2428 OLD NATCHEZ TRACE  
TRAIL, CAMDEN, TN 38320  
PH. 941-380-1574

FL#: 41795

DWG #: IN0602

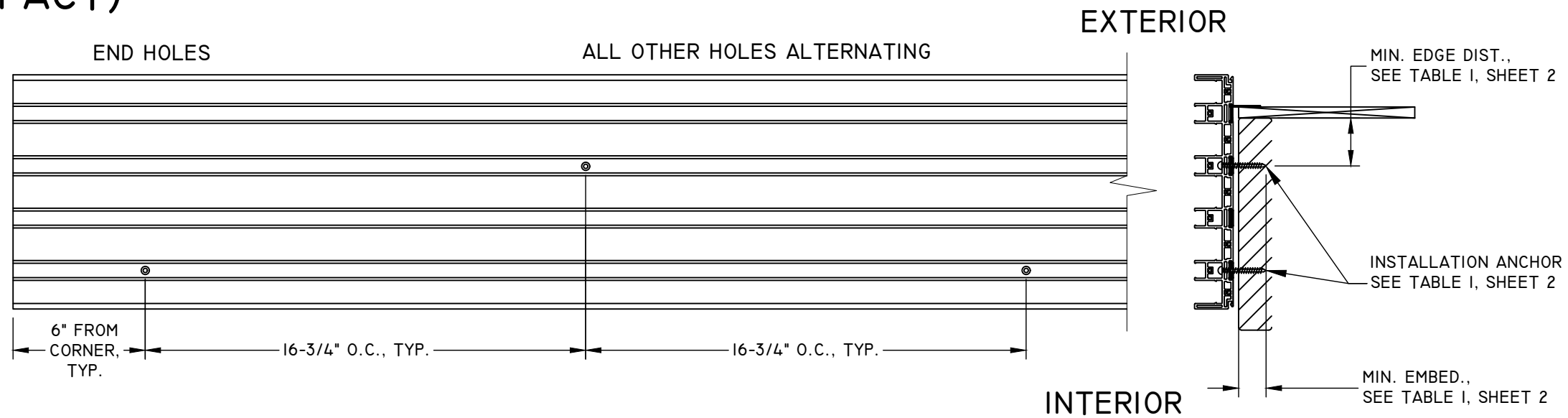
SHEET: 18 OF 25



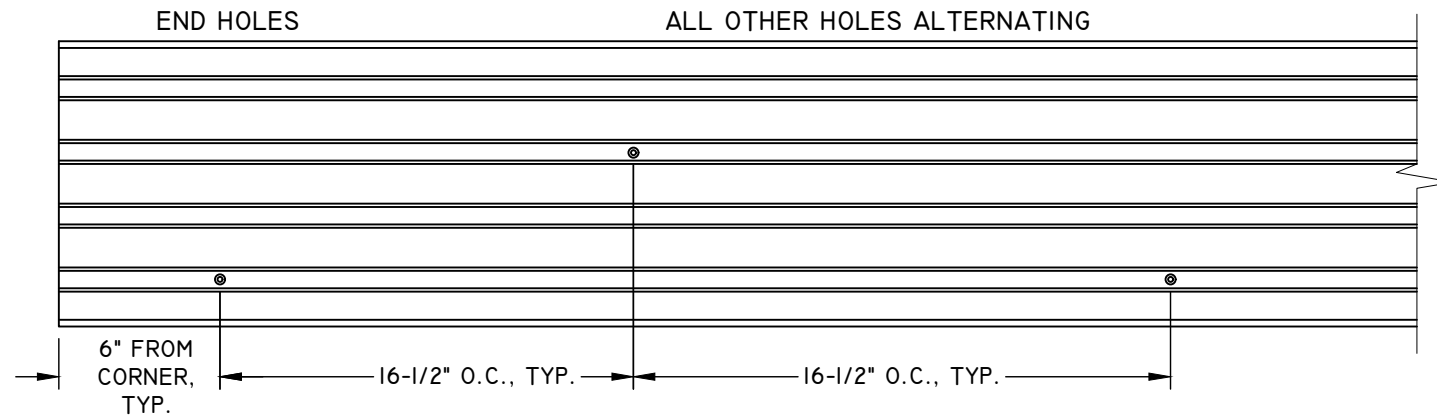
# 4 TRACK ANCHOR LAYOUT DETAILS WITH NAIL FIN - JAMBS

## JAMB - DP50 (IMPACT)

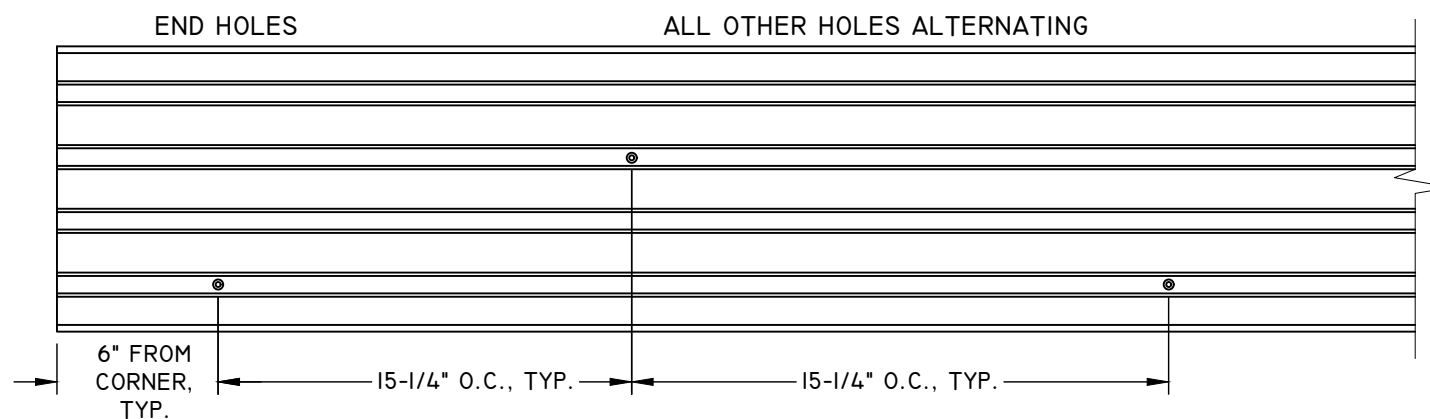
SEE TABLE I, SHEET 2:  
ANCHOR ID - A, D, F, G,  
H, I, J, K, P, AND Q.



SEE TABLE I, SHEET 2:  
ANCHOR ID - L, M, N, AND O.



SEE TABLE I, SHEET 2:  
ANCHOR ID - B, C, AND E.



**NOTES:**

1. INSTALLATION HOLES ARE FABRICATED BY MANUFACTURER.
2. SEE TABLE I, SHEET 2 FOR FASTENER MINIMUM EDGE DISTANCE, EMBEDMENT AND ON CENTER SPACING.
3. IX WOOD BUCK BY OTHERS IS OPTIONAL FOR MASONRY APPLICATIONS.
4. 1/4" MAX. SHIM STACK.
5. FILL LEFT & RIGHT PRE-DRILLED JAMB INSTALLATION HOLES - 6" FROM CORNER OF SILL ONLY, WITH EXTERIOR GRADE SEALANT PRIOR TO INSERTING SCREWS AND APPLY SEALANT OVER THE HEAD OF SCREWS ONCE PROPERLY SEATED.

TITLE: MAXVIEW MULTI-SLIDE PATIO DOOR IMPACT ANCHOR LAYOUT	DATE	05/16/22	BY	LMH
	DWN BY:	LMH	CHK BY:	SAS
	REVISION NO.	A	REVISION DESCRIPTION	UPDATE PANEL SIZE CHART
	REVISION NO.	B	REVISION DESCRIPTION	N22-023 ADDED TEST SIZES
DATE	08.22.22	BY	LMH	
DATE	08.30.23	BY	LMH	
SCALE:	NTS			



09/16/2023  
LUCAS A. TURNER, P.E.  
FL PE # 58201  
TURNER ENGINEERING &  
CONSULTING, INC.  
(COA # 29779)  
2428 OLD NATCHEZ TRACE  
TRAIL, CAMDEN, TN 38320  
PH. 941-380-1574

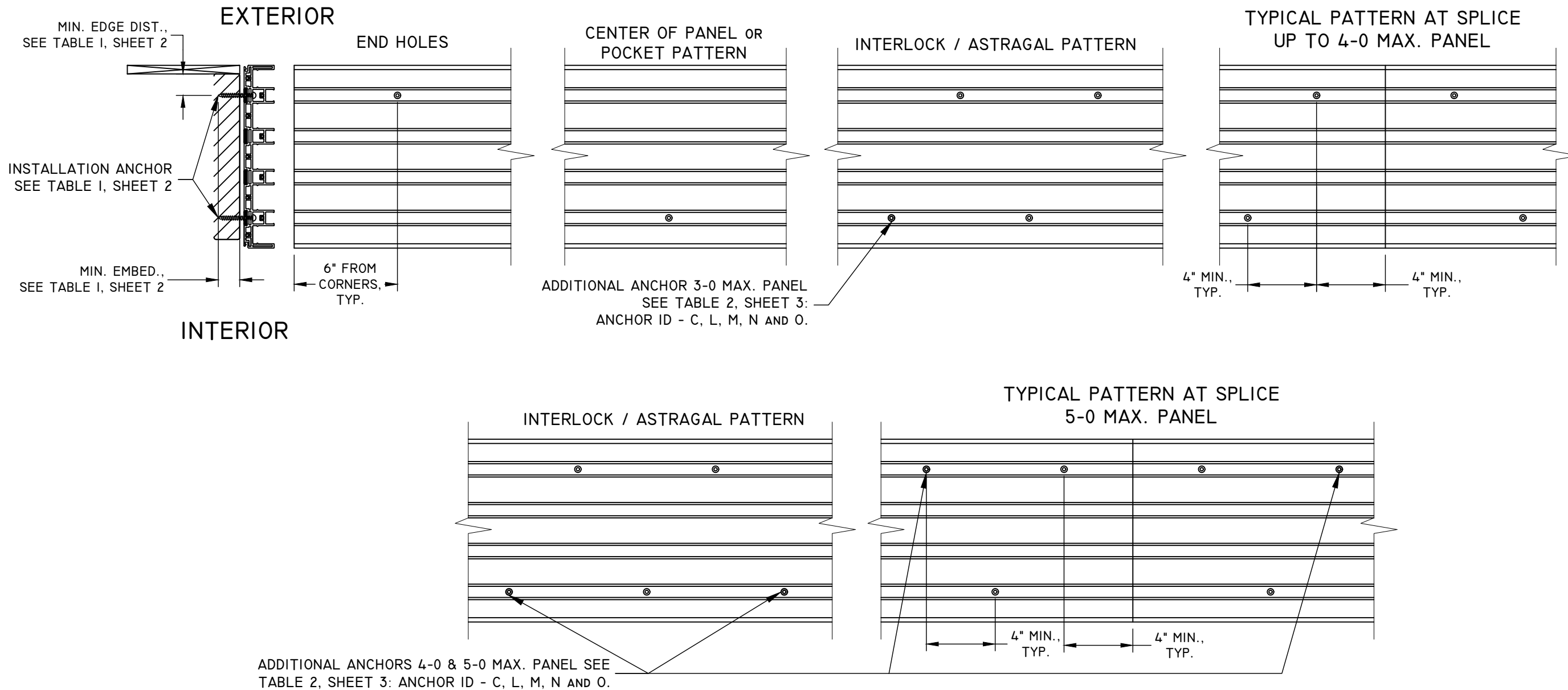
FL#: **41795**

DWG #: **IN0602**

SHEET: **20 OF 25**

# 4 TRACK ANCHOR LAYOUT DETAILS BOX FRAME - HEAD

## HEAD - DP50 (IMPACT)



**NOTES:**

1. INSTALLATION HOLES ARE FABRICATED BY MANUFACTURER.
2. SEE TABLE 1, SHEET 2 FOR FASTENER MINIMUM EDGE DISTANCE, EMBEDMENT AND ON CENTER SPACING.
3. 1X WOOD BUCK BY OTHERS IS OPTIONAL FOR MASONRY APPLICATIONS.
4. 1/4" MAX. SHIM STACK.
5. SPLICE DETAILS, SEE SHEET 25.

TITLE: MAXVIEW MULTI-SLIDE PATIO DOOR IMPACT ANCHOR LAYOUT	DATE	08.22.22
	BY	LMH
	REVISION DESCRIPTION	
	NO.	
	A	UPDATE PANEL SIZE CHART
	B	N22-023 ADDED TEST SIZES
DATE:	05/16/22	
DWN BY:	LMH	
CHK BY:	SAS	
SCALE:	NTS	



09/16/2023  
LUCAS A. TURNER, P.E.  
FL PE # 58201  
TURNER ENGINEERING & CONSULTING, INC.  
(COA # 29779)  
2428 OLD NATCHEZ TRACE  
TRAIL, CAMDEN, TN 38320  
PH. 941-380-1574

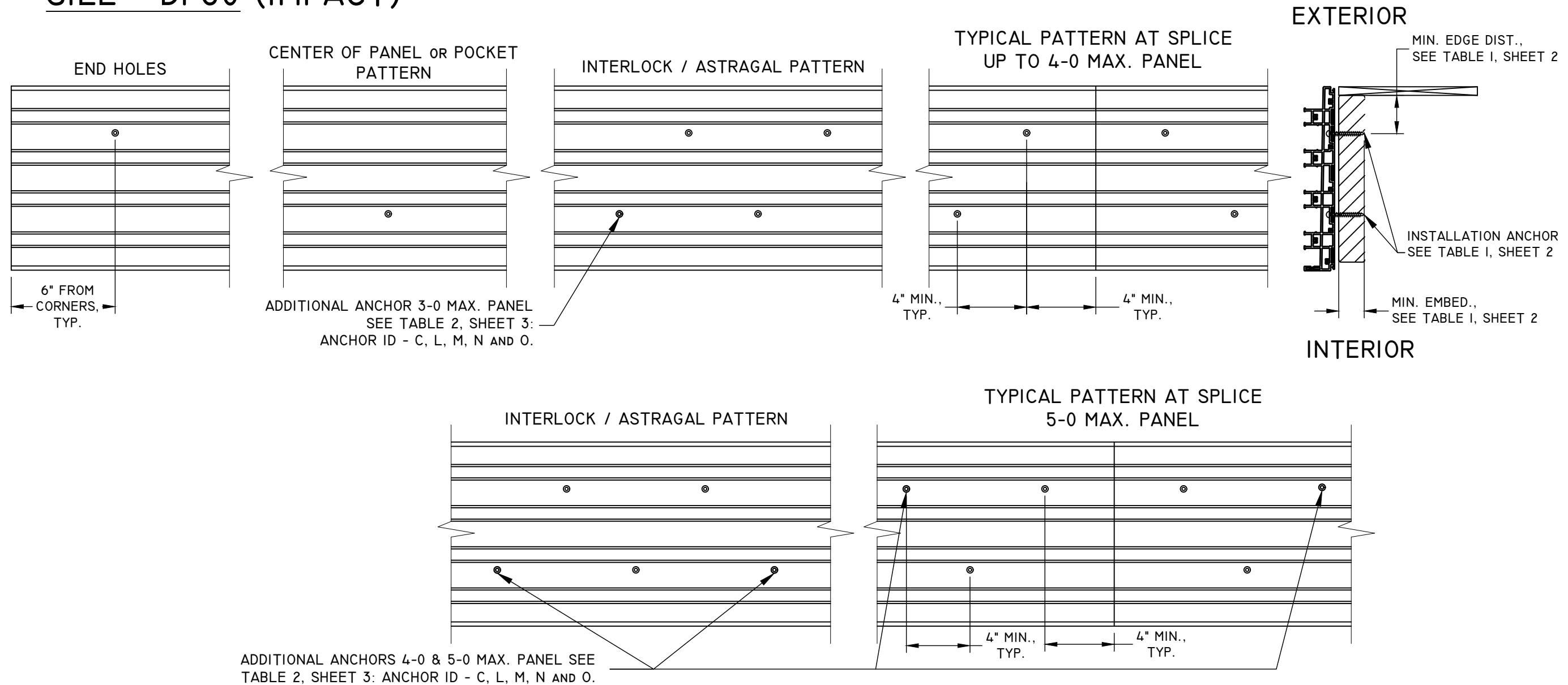
FL#: **41795**

DWG #: **IN0602**

SHEET: **21** OF **25**

# 4 TRACK ANCHOR LAYOUT DETAILS BOX FRAME - SILL

## SILL - DP50 (IMPACT)



**NOTES:**

1. INSTALLATION HOLES ARE FABRICATED BY MANUFACTURER.
2. SEE TABLE 1, SHEET 2 FOR FASTENER MINIMUM EDGE DISTANCE, EMBEDMENT AND ON CENTER SPACING.
3. IX WOOD BUCK BY OTHERS IS OPTIONAL FOR MASONRY APPLICATIONS.
4. 1/4" MAX. SHIM STACK.
5. SPLICE DETAIL, SEE SHEET 25.
6. FILL ALL PRE-DRILLED INSTALLATION HOLES WITH EXTERIOR GRADE SEALANT PRIOR TO INSERTING SCREWS AND APPLY SEALANT OVER THE HEAD OF SCREWS ONCE PROPERLY SEATED.

TITLE: MAXVIEW MULTI-SLIDE PATIO DOOR IMPACT ANCHOR LAYOUT	DATE	05/16/22	BY	LMH
	NO.	A	REVISION DESCRIPTION	UPDATE PANEL SIZE CHART
	DWN BY:	LMH	DATE	08.22.22
	CHK BY:	SAS	DATE	08.30.23
	SCALE:	NTS		



09/16/2023  
LUCAS A. TURNER, P.E.  
FL PE # 58201  
TURNER ENGINEERING & CONSULTING, INC.  
(COA # 29779)  
2428 OLD NATCHEZ TRACE  
TRAIL, CAMDEN, TN 38320  
PH. 941-380-1574

FL#: 41795

DWG #: IN0602

SHEET: 22 OF 25



# P-HOOK ANCHOR LAYOUT

**DETAIL E4**  
P-HOOK

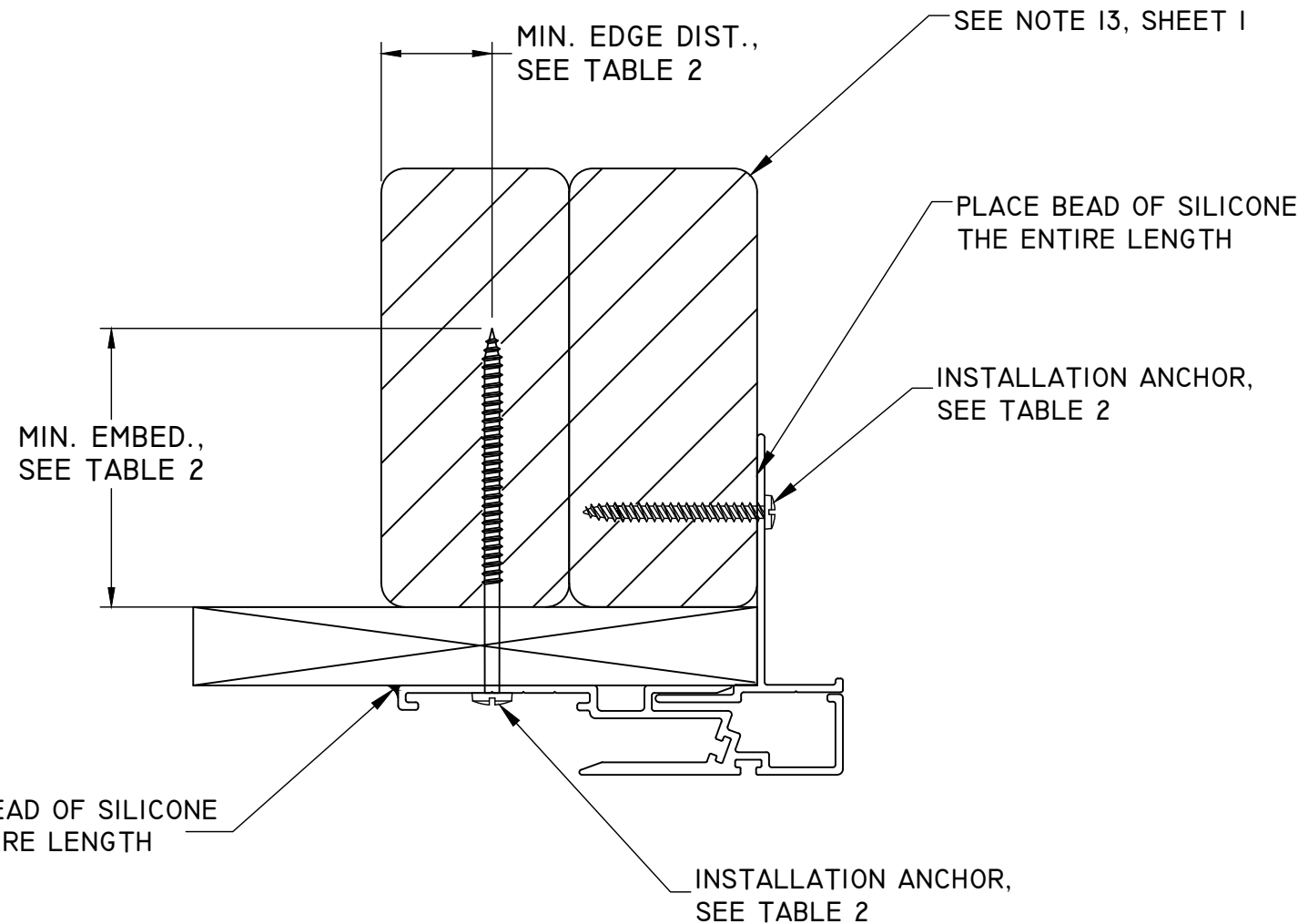
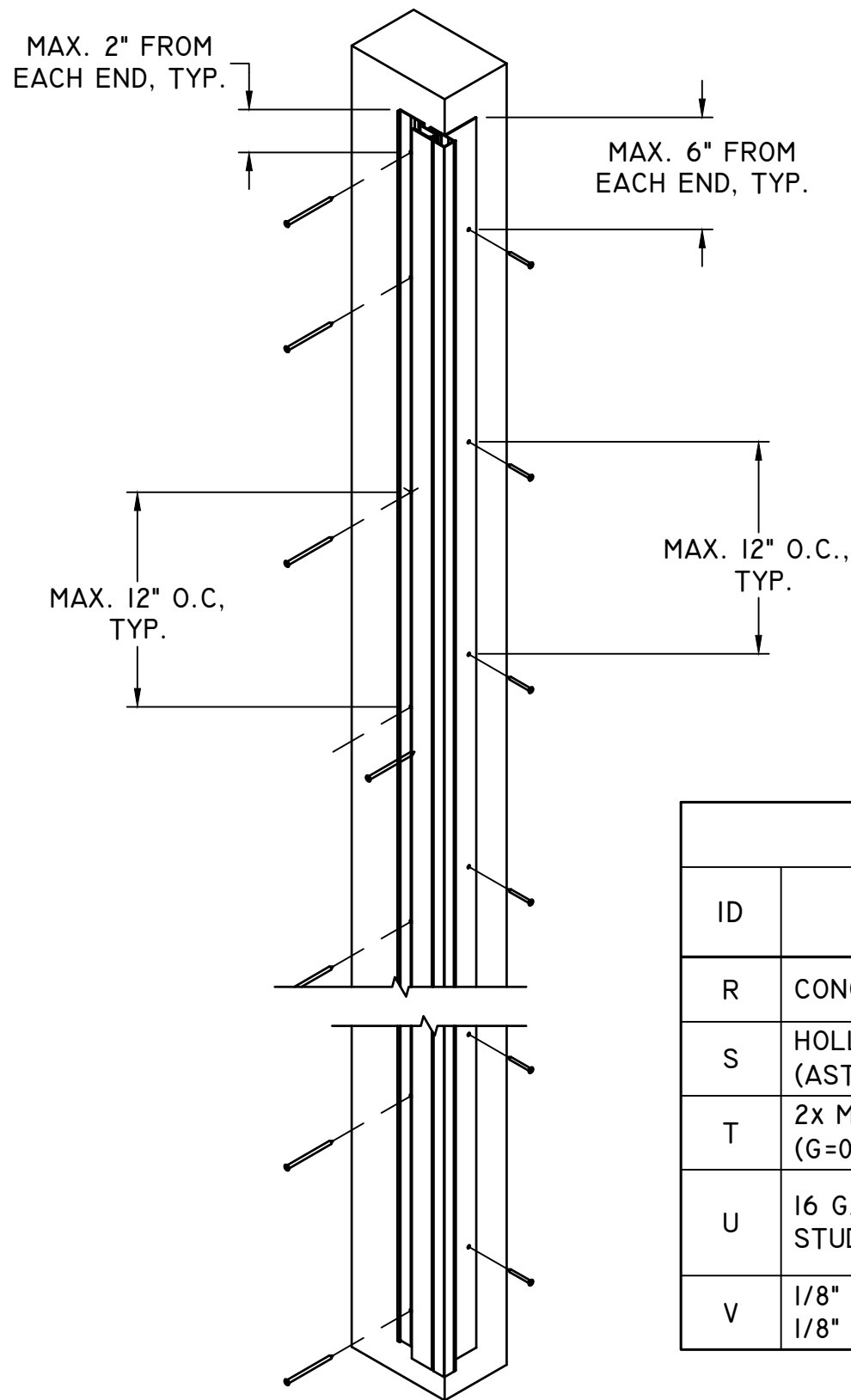
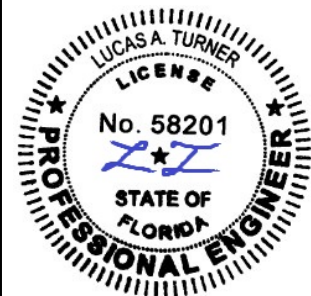


TABLE 2: P-HOOK INSTALLATION FASTENERS TABLE

ID	SUBSTRATE TYPE	ANCHOR TYPE	MIN. EDGE DISTANCE	MIN. EMBED.	MIN. ON-CENTER SPACING
R	CONCRETE (3.05 KSI MIN)	3/16" DEWALT ULTRACON+ COATED CARBON STEEL	1"	1"	3"
S	HOLLOW OR GROUT-FILLED CMU (ASTM C-90)	3/16" DEWALT ULTRACON+ COATED CARBON STEEL	1"	1-1/4"	3"
T	2x MIN. SPRUCE-PIN-FIR WOOD (G=0.42 MIN)	#8 GRADE 5 STEEL WOOD SCRW	1"	1-1/4"	3"
U	16 GAUGE (0.060") MIN. STEEL STUD, 33 KSI MIN. YIELD	#10-16 ITW-TEKS, DEWALT DRIL-FLEX, or HILTI KWIK-FLEX SELF DRILLING SCREW	1/2"	FULL PLUS 3 THREADS MIN.	3"
V	1/8" ALUM. 6063-T5 MIN. or 1/8" STEEL 33 KSI MIN.	#10-16 GRADE 5 SELF-TAPPING/DRILLING SCREW	1/2"	FULL PLUS 3 THREADS MIN.	3"

NOTES: -ALL SCREWS SHALL BE PAN OR HEX WASHER HEAD.  
-PRE-DRILLING FOR ANCHORS INTO WOOD IS RECOMMENDED.  
-CONCRETE/MASONRY SHALL NOT BE CRACKED.

TITLE: MAXVIEW MULTI-SLIDE PATIO DOOR IMPACT P-HOOK ANCHOR LAYOUT	DATE	08.22.22		
	BY	LMH		
	REVISION DESCRIPTION			
	NO.	A	UPDATE PANEL SIZE CHART	
DATE: 05/16/22	DWN BY: LMH	CHK BY: SAS	SCALE: NTS	



09/16/2023  
LUCAS A. TURNER, P.E.  
FL PE # 58201  
TURNER ENGINEERING & CONSULTING, INC.  
(COA # 29779)  
2428 OLD NATCHEZ TRACE TRAIL, CAMDEN, TN 38320  
PH. 941-380-1574

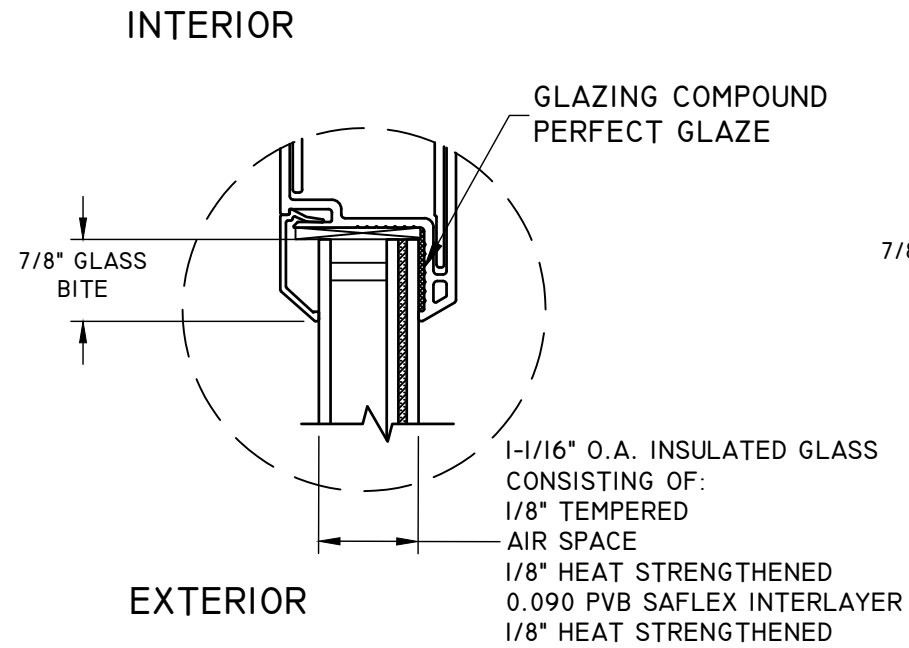
FL#: **41795**

DWG #: **IN0602**

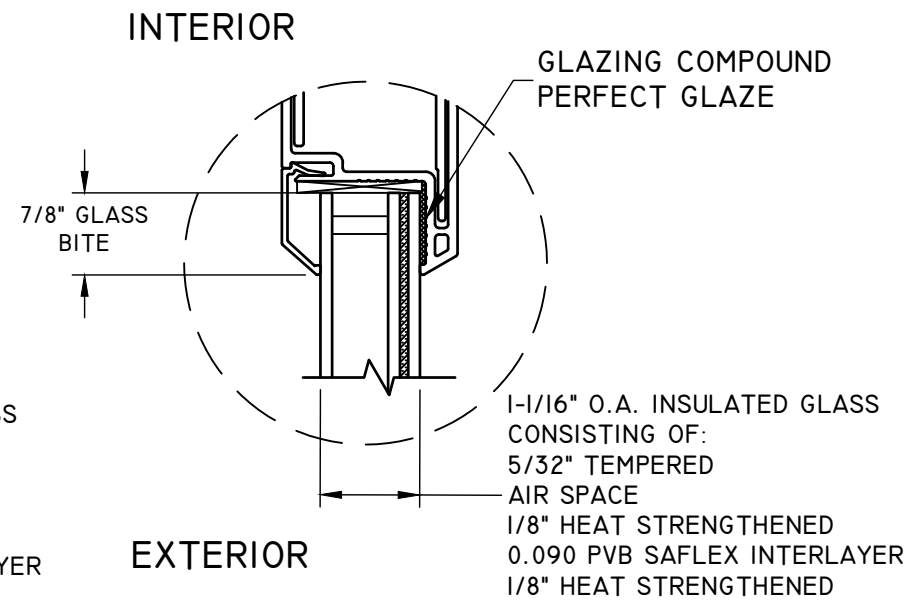
SHEET: **24** OF **25**



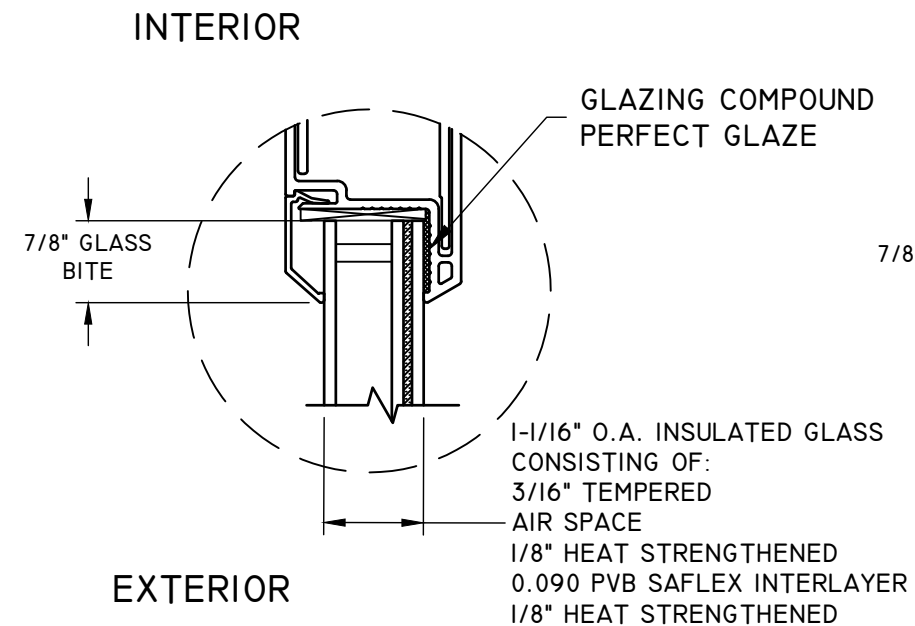
# SPLICE DETAILS



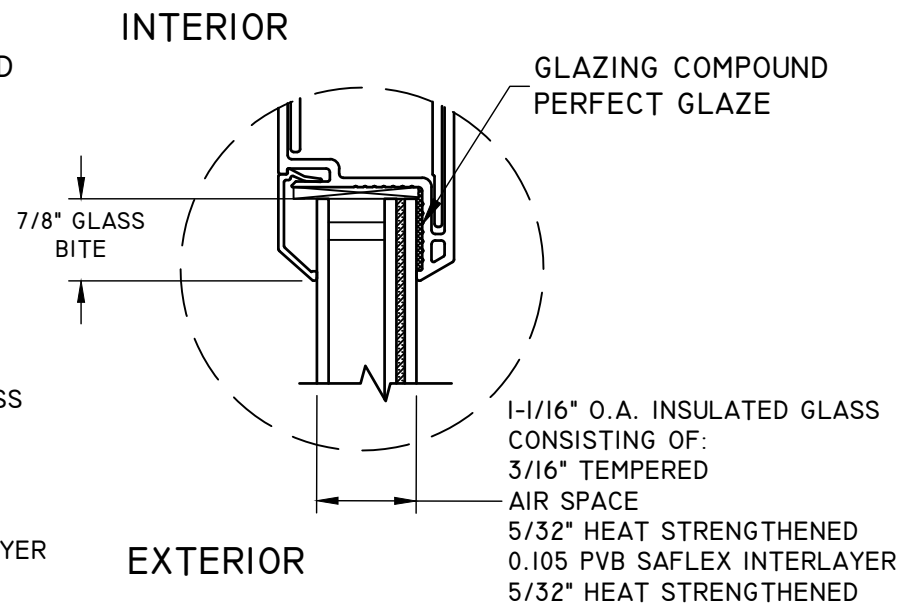
**GLAZING DETAIL 1**



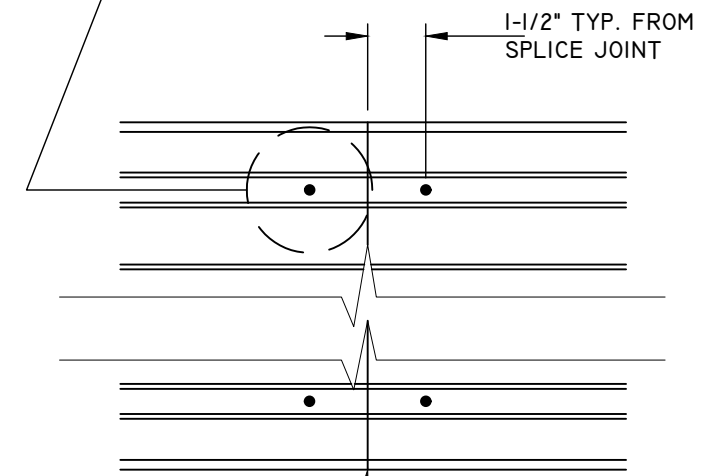
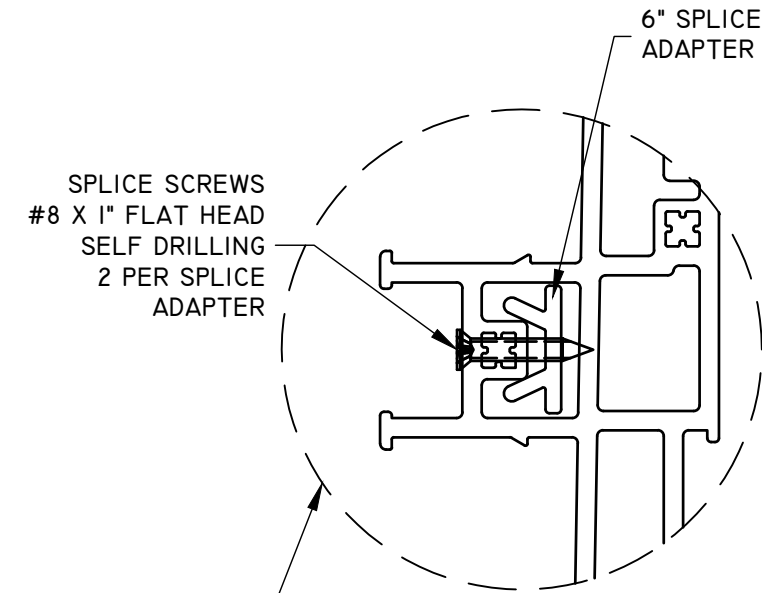
**GLAZING DETAIL 2**



**GLAZING DETAIL 3**

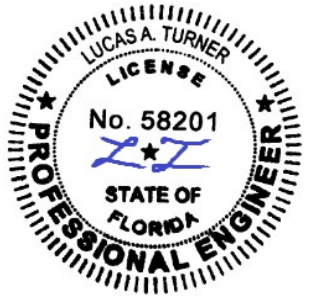


**GLAZING DETAIL 4**



APPLY SILICONE TO THE FACE  
OF FRAME PROFILE BEFORE  
CONNECTING SPLICE.

TITLE: MAXVIEW MULTI-SLIDE PATIO DOOR IMPACT GLAZING DETAILS & SPLICE DETAILS	DATE	08.22.22		
	BY	LMH		
REVISION DESCRIPTION	NO.	A	UPDATE PANEL SIZE CHART	
	B	N22-023 ADDED TEST SIZES		
DATE:	DWN BY:	CHK BY:	SCALE:	
05/16/22	LMH	SAS	NTS	



09/16/2023  
LUCAS A. TURNER, P.E.  
FL PE # 58201  
TURNER ENGINEERING &  
CONSULTING, INC.  
(COA # 29779)  
2428 OLD NATCHEZ TRACE  
TRAIL, CAMDEN, TN 38320  
PH. 941-380-1574

FL#: **41795**

DWG #: **IN0602**

SHEET: **25 OF 25**